



INVESTMENT CATALOGUE

OPEN UP TO POSSIBILITIES



I CARE ABOUT THE WORLD I AM ECO-FRIENDLY






ON OUR WEBSITE

**PORTA.COM.PL/DO-POBRANIA
YOU CAN FIND ALL OF OUR
CATALOGUES, ALWAYS
UP TO DATE**



OPEN UP TO ECOLOGY WITH US, CHOOSE
MOBILE VERSION OF THE CATALOGUE

Table of contents:

Interior doors	04	
Fire-rated doors	22	
Anti-burglary doors	42	
Acoustic doors	64	
Specialized doors	86	

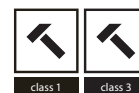
Parameters	99
Parameter table of standard Porta doors	100
Summary of technical parameters	101
Door dimensions	102
Door dimensions tables	103
Customise the colours and finishes	105
Accessories	106
Customise your doors	110
Portfolio	112

The background is a solid teal color. Overlaid on this is a large, stylized silhouette of a house, also in teal but with a slightly lighter shade. The house has a gabled roof and a chimney on the right side. The text is positioned on the left side of the house silhouette.

Interior Doors

Flush

Interior doors / p. 06



Frame and panel

Interior doors / p. 09



Steel SOLID

Interior doors / p. 11



PORTA STEEL
PRODUCT

Steel SOLID made of stainless steel

Interior doors / p. 14



PORTA STEEL
PRODUCT

Steel BASIC

Interior doors / p. 16

PORTA STEEL
PRODUCT

Door frames

/ p. 17

Other doors with strength performance class:

QUARTZ / p. 24

EI30 / p. 27

Steel EI30 / p. 33

EI60 / p. 35

Steel EI60 / p. 40

AGATE / p. 57

OPAL / p. 60

27dB / p. 66

32dB / p. 70

SILENCE 37dB / p. 74

42dB / p. 80

ROENTGEN / p. 88

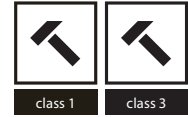
AQUA / p. 91

ENDURO / p. 94



Technical Assessment AT-15-6515/2016 • Hygienic Certificate 88/322/89/2018

- Class 1:** honeycomb core with any type of door frame
- Class 3:** hollow chipboard core with any type of door frame.




> INDICATIONS FOR USE

Indications for use of Porta flush doors: as interior doors in residential buildings and public buildings. Thanks to endurance properties, these doors can be used in conditions corresponding to 1st strength performance class in accordance with PN-EN 1192:2001 i.e. light duty – DWL-P doors with a honeycomb core and 3rd strength performance class in accordance with PN-EN 1192:2001 i.e. light, medium and heavy duty – DWL-P, solid and glazed doors, if glazing surface does not exceed 50% of door leaf surface, with hollow chipboard or chipboard core.

DWL-P DOOR MARK – a single leaf or double leaf interior door, rebated or non-rebated.

> CONSTRUCTION


A. FINISH

Veneer: CPL, HPL, wood look PCV, natural standard, natural select; acrylic paint and others from Porta's offer.
Colours and patterns from standard and  non-standard collections.

B. SKIN

- HDF
- slim particle board (door leaves in natural veneer)

C. CORE

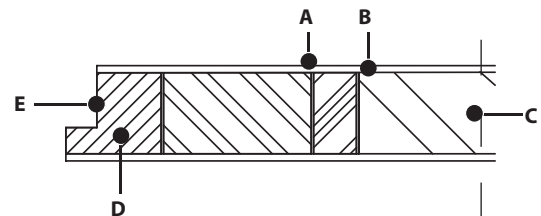
- hollow chipboard reinforced with rails and stiles
- honeycomb
-  chipboard reinforced with rails and stiles

D. RAILS AND STILES

Rails and stiles are made of glued laminated softwood

E. LIPPING

Doors finished with CPL – 1 mm thick lipping ABS on vertical edges.
For other finishes, edge tape in door leaf colour.



DIMENSION RANGES

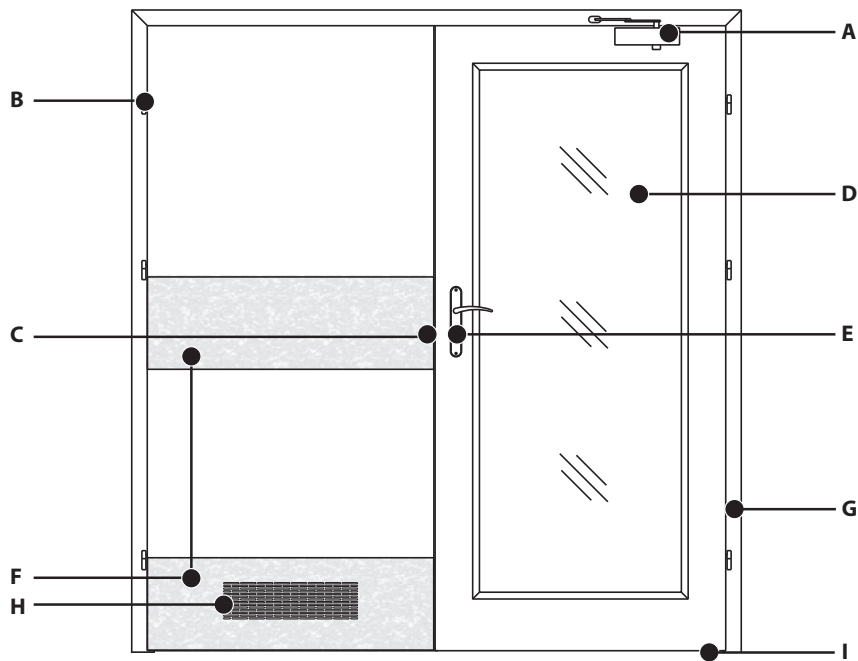
WITHIN TECHNICAL ASSESSMENT (AT)			INDIVIDUAL APPROVAL DOCUMENTATION (DJ)
DOOR TYPE	DOOR LEAF WIDTH S_s	DOOR LEAF HEIGHT H_s	DOOR LEAF HEIGHT H_s
Single leaf, rebated	max 1244 mm*	max 2200 mm	max 2500 mm***
Single leaf, non-rebated	max 1218 mm*	max 2200 mm	max 2500 mm***
Double leaf, rebated	max 1244 mm*, **	max 2200 mm	max 2500 mm***
Double leaf, non-rebated	max 1231 mm*, **	max 2200 mm	max 2500 mm***

* Sizes '110', '120' and double leaf doors are classified with lower strength performance class

** Total width of two leaves set cannot exceed dimensions included in AT: for rebated doors 2079 mm, for non-rebated doors up to 2052 mm. Bigger sizes within Individual Approval Documentation.

*** In individual cases there it is possible to produce door leaves up to $H_s=2800$ mm.

> ACCESSORIES AND HARDWARE

**A. DOOR CLOSER** (see accessories p.107)• **Surface mounted:**

Door closers both with arms and slide rails have to be chosen accordingly to the weight and size of a door leaf. Installation of a door closer requires reinforcing door leaf and door frame.

• **Concealed:**

Installation requires to thicken the door leaf and to change door frame rebate.

Offered door closers:

- Eco Schulte ITS Multi Genius
- Dorma ITS 96
- Geze Boxer 2-4

B. HINGES (see accessories p.106)• **Non-rebated doors:**

- concealed 3D for ELEGANCE DOOR FRAME
- visible for MDF door frame
- visible for steel door frames
- swing door hinges

• two-part barrel hinges (also Prime version)

- three-part reinforced hinges
- with rising pin

• **Rebated doors:****C. ELECTRIC STRIKE** (see accessories p. 108)

It is possible to install numerous electric strikes indicated by the client.

Offered electric strikes:






For single leaf and double leaf doors:

- fail secure JIS 1710, Eff Eff 118
- fail-safe MCM 611, Eff Eff 138, O&C 34.1.00.E

Power supply as recommended by the producer.



D. GLAZING

- The maximum size of glazing depends on door leaf width:
 - single leaf 900 x 1740 mm
 - double leaf 800 x 1740 mm
- Glazing patterns in line with Porta's offer or  according to client's demand.
- Glazing types in line with Porta's offer or  according to client's demand (the minimum glass thickness 4 mm).
- Tempered glass or  laminated glass is available.
- Alternatively, instead of glass panels: slim panels, raised panels, relief panels.
- Glazing beads are made of MDF or PCV or  stainless steel.
- Stainless steel porthole with the internal diameter 250 mm for sizes: '60' and '70' and 300 mm for other sizes.
-  Porthole made of solid wood or MDF.

E. LOCKS (see accessories p. 109)

Main lock: key lock, WC lock, cylinder lock.

 **Roller lock.**

 **Additional upper** cylinder lock.

Hook lock: key lock,  WC lock,  cylinder lock.

 **Anti-panic lock.**

Offered locks:

- single leaf doors GBS 92 72/65 function B
 - double leaf doors: active leaf – mortise lock GBS 93 72/65 function B, passive leaf – counter lock GBS 94
- Anti-panic hardware is available in two options: handle – handle, handle – panic bar.

 **Hotel lock.**

There is a possibility to prepare door leaves and door frames for numerous electronic locks which have relevant certificates and are included in Technical Assessment.

F. STAINLESS STEEL PANEL (see accessories p. 107)

Door leaves can be equipped with stainless steel panels, 0,6 mm thick.

Offered panels:

- 'kick-panel' 300 mm high
- 'push-panel' placed at handle level, 300 mm high
- ventilation kick panel, 300 mm high

Door leaves can be equipped with a ventilation grill, ventilation sleeves or a ventilation undercut.

G. DOOR FRAMES (more information on p. 17-21)

Available door frame types:



• **Wooden:**

- adjustable Porta SYSTEM
- adjustable Porta SYSTEM ELEGANCE
- fixed MINIMAX
- adjustable LEVEL
- Renova

• **Steel**


- Corner profile: SMALL PLUS and LARGE
- adjustable
- Corner profile – LARGE, non-rebated with concealed hinges
- adjustable, non-rebated with concealed hinges

H. VENTILATION (more information on p.107)

- plastic ventilation grille, standard colour or  or any of RAL colours according to client's demand.
-  stainless steel ventilation grille

I. BOTTOM SEALING

Automatic threshold seal.

 There is a possibility to have accessories that are not featured above (e.g. electric door magnet, electric door stop, flush bolt, automatic from p.107/108), after consulting with Contract Department.

Technical Assessment AT-15-6515/2016 • Hygienic Certificate 26/322/28/2016

Strength performance class: in accordance with PN-EN 1192:2001



> INDICATIONS FOR USE


Indications for use of frame and panel Porta doors: as interior doors in residential buildings and public buildings. According to terminology given in PN-B-91000:1996 norm, they are a barrier between rooms. Thanks to endurance properties, these doors can be used in light duties, i.e conditions corresponding to 1st strength performance class in accordance with PN EN 1192:2001.

DOOR MARK: DWL-R

> CONSTRUCTION

A. SKIN

Veneer: natural standard, natural select, UV acrylic paint and other veneers from Porta's offer.

Colours and patterns from standard and  non-standard offer.

B. CORE

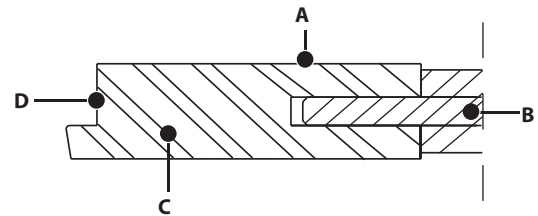
- MDF
- flat panel
- tempered glass panel

C. RAILS AND STILES

Rails and stiles are made of wood based materials: softwood, plywood, chipboard, MDF.

D. EDGE

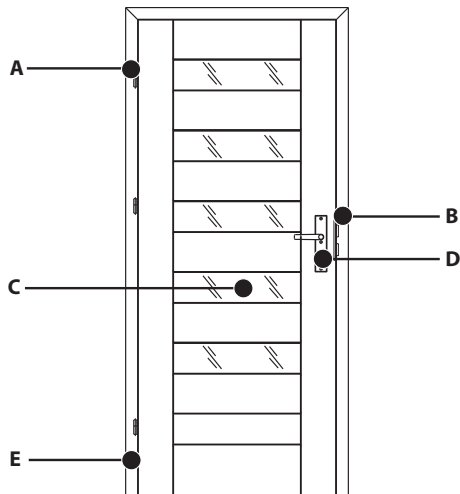
Synthetic or natural veneer – door leaf colour.



DIMENSION RANGES WITHIN TECHNICAL ASSESSMENT

DOOR TYPE	DOOR LEAF WIDTH S_s	DOOR LEAF HEIGHT H_s
Single leaf rebated	max 1144 mm	max 2200 mm
Single leaf non-rebated	max 1118 mm	max 2200 mm
Double leaf rebated	max 2279 mm	max 2200 mm
Double leaf non-rebated	max 2252 mm	max 2200 mm

> ACCESSORIES AND HARDWARE



A. HINGES (see accessories p. 106)

• **Non-rebated doors:**

- concealed 3D for ELEGANCE door frame
- visible for MDF door frames
- visible for steel door frames

• **Rebated doors**

- two-part barrel hinges (also Prime version)
- three-part reinforced hinges
- with rising pin

B. **ELECTRIC STRIKE** (see accessories p. 108)

It is available to install numerous electric strikes indicated by the client.

Offered electric strikes:

• **For single leaf doors:**

- fail secure JIS 1710, Eff Eff 118
- fail-safe MCM 611, Eff Eff 138, O&C 34.1.00.E

Power supply as recommended by the producer.

C. GLAZING

- Glazing patterns in line with Porta's current offer or customer's demands.
- Glazing types in line with Porta's current offer or customer's demands (minimum glass thickness – 4 mm).
- Tempered glass or laminated glass is available.
- Alternatively, instead of glass panels: slim panels, raised panels, relief panels.

D. LOCKS (see accessories p. 109)

Main lock: key lock, WC lock, cylinder lock.

Roller lock.

Additional upper cylinder lock.

Hook lock: key lock, WC lock, cylinder lock.

Hotel lock.

There is a possibility to prepare door leaves and door frames for numerous electronic locks which have certificates and are included in Technical Assessment.

E. DOOR FRAMES (more information on p. 17-21)

Available door frames:

• **Wooden:**

- adjustable Porta SYSTEM
- adjustable Porta SYSTEM ELEGANCE
- fixed MINIMAX

- adjustable LEVEL
- Renova

• **Steel:**

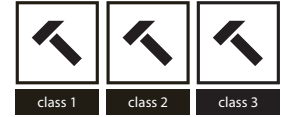
- Corner profile – SMALL PLUS and LARGE
- adjustable

There is a possibility to have accessories that are not featured above (e.g. electric door magnet, electric door stop, automatic shootbolt p.107/108), after consulting with Contract Department.



Technical Assessment AT-15-8081/2016 • Hygienic Certificate 85/322/86/2019

- Class 1:** door leaf core: honeycomb, chipboard; door frame: wooden Porta System.
- Class 2:** door leaf core: honeycomb, chipboard; door frame: MDF MiniMax.
- Class 3:** door leaf core: honeycomb, chipboard; door frame: steel door frame.



> INDICATIONS FOR USE

Indications for use of interior steel Porta doors: as interior doors in residential buildings and public buildings. Thanks to endurance properties, these doors can be used in conditions corresponding to 3rd strength performance class in accordance with PN-EN 1192:2001, i.e. light, medium and heavy duty, as long as they are ordered as a set with Porta steel door frames ITB-KOT-2017/0245 issue. 1 or Porta folding steel door frames ITB-KOT-2018/0687.

Considering the requirements regarding corrosion resistance, doors can be used in facilities with increased humidity and moderate pollution, in conformity with the PN-EN ISO 12944-2:2001, corrosion category C3.

DOOR MARK: DWL-S

> CONSTRUCTION

A. FINISH

Polyester powder paint, laminate film PCV.
Patterns and colours from standard and non-standard collection.

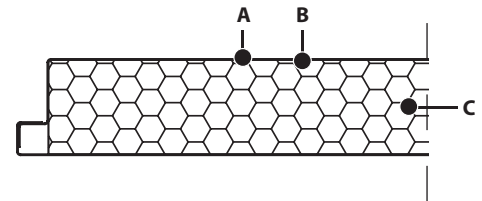
B. SKIN

Galvanized steel sheet 0,6 mm.

C. CORE

- stabilising infill „honeycomb“
- expanded polystyrene (finish 'not painted')
- mineral wool

* – hollow chipboard core available in a 'contract' order

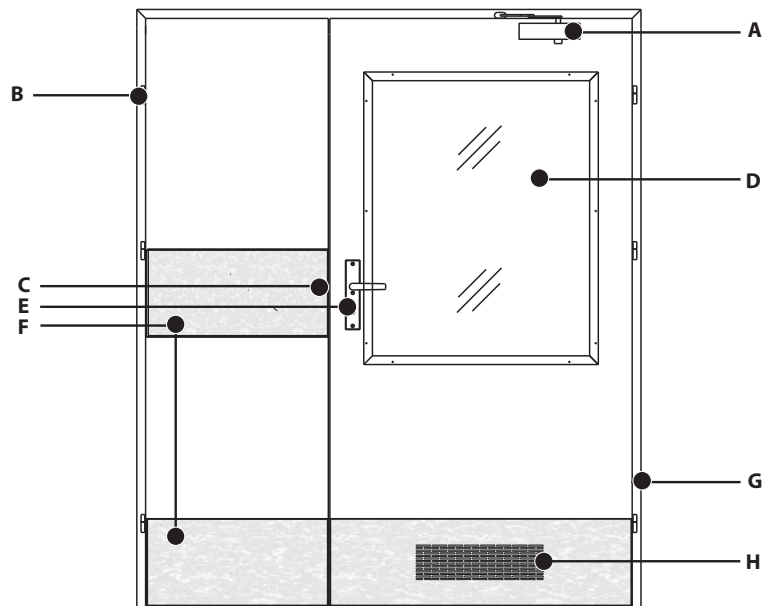


DIMENSION RANGES WITHIN TECHNICAL ASSESSMENT

DOOR TYPE	DOOR LEAF WIDTH S_s	DOOR LEAF HEIGHT H_s
Single leaf, rebated	max 1244 mm	max 2430 mm
Double leaf, rebated	max 1244 mm*	max 2430 mm

* Total width of two leaves cannot exceed dimensions included in Technical Assessment: for rebated doors 2179 mm. Bigger sizes available within Individual Approval Documentation.

> **ACCESSORIES AND HARDWARE**



A. DOOR CLOSER (see accessories p. 107)

Surface mounted:

Door closers both with arms and slide rails have to be chosen accordingly to the weight and size of a door leaf. Installation of a door closer requires reinforcing door leaf and door frame.

B. HINGES (see accessories p. 106)

- two-part barrel hinges
- three-part reinforced hinges

C. ELECTRIC STRIKE (see accessories p. 108)

It is possible to install numerous electric strikes indicated by the client.

Offered electric strikes:

- For single leaf doors:
 - fail secure JIS 1710
 - fail-safe MCM 611
- For double leaf doors:
 - fail secure JIS 1410
 - fail-safe JIS 1411

Power supply as recommended by the producer.

D. GLAZING

- Glazing patterns in line with Porta's current offer or in line with client's demands.
- Glazing types in line with Porta's current offer or in line with client's demands (thickness range 4 – 6 mm).
- Tempered glass or laminated glass is available.
- Glazing beads made of steel.
- Stainless steel porthole with internal diameter: 250 mm for sizes '60' and '70' and 300 mm for other sizes.



E. LOCKS (see accessories p. 109)

Main lock: key lock, WC lock, cylinder lock.

Roller lock.

Anti-panic lock.

Offered locks:

- single leaf doors, mortise lock GBS 92 72/65 function B
- double leaf doors: active leaf mortise lock GBS 93 72/65 function B, passive leaf – counter lock GBS 94.

Anti-panic hardware is available in two options handle – handle, handle – panic bar.

F. STAINLESS STEEL PANEL (see accessories p. 107)

Door leaves may be equipped with stainless steel panels, 0,6 mm thick.

Offered panels:

- 'kick panel' 300 mm high
- 'push panel' at handle level, 300 mm high
- ventilation kick panel 300 mm high

Door leaves can be equipped with ventilation grills or ventilation sleeves.

G. DOOR FRAMES (more information on p. 17-21)

Available door frame types:

Steel:

- Corner profile – SMALL PLUS or LARGE
- adjustable

H. VENTILATION (more information on p. 107)

- plastic ventilation grill standard colour or any of RAL colours according to client's demand.
- stainless steel ventilation grill

There is a possibility to have accessories not featured above (e.g. electric door magnet, electric door stop, automatic flush bolt p. 107/108), after consulting with Contract Department.





Steel SOLID made of stainless steel

Technical Assessment AT-15-8081/2016 • Hygienic Certificate 85/322/86/2019

- Class 1:** core: honeycomb, chipboard with Porta System wooden door frame.
- Class 2:** core: honeycomb, chipboard with MiniMax MDF door frame.
- Class 3:** core: honeycomb, chipboard with steel door frame.



> INDICATIONS FOR USE

Indications for use of interior steel Porta doors: as interior doors in residential buildings and public buildings. Thanks to endurance properties, these doors can be used in conditions corresponding to 3rd strength performance class in accordance with PN-EN 1192:2001, i.e. light, medium and heavy duty, as long as they are ordered as a set with Porta steel door frames ITB-KOT-2017/0245 issue. 1 or Porta folding steel door frames ITB-KOT-2018/0687.

Considering the requirements regarding corrosion resistance, doors can be used in facilities with increased humidity and moderate pollution, in conformity with the PN-EN ISO 12944-2:2001, corrosion category C3.

DOOR MARK: DWL-S

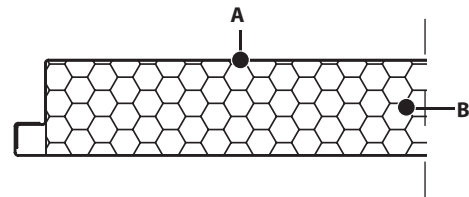
> CONSTRUCTION

A. SKIN

Stainless steel sheet 0,6 mm thick.

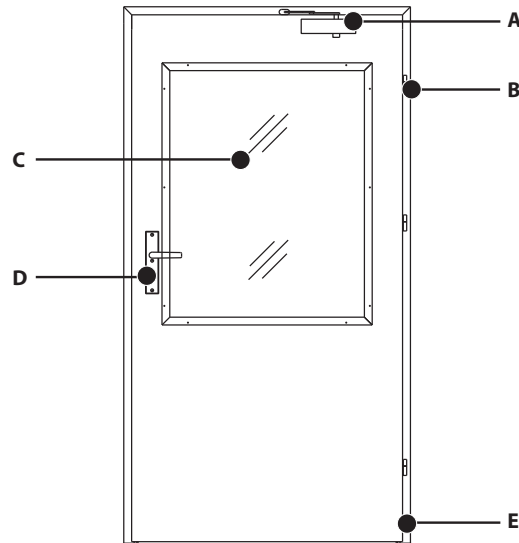
B. CORE

- stabilising infill honeycomb
- expanded polystyrene
- mineral wool



DIMENSION RANGES WITHIN TECHNICAL ASSESSMENT

DOOR TYPE	DOOR LEAF WIDTH S_s	DOOR LEAF HEIGHT H_s
Single leaf, non-rebated	max 1144 mm	max 2030 mm

> ACCESSORIES AND HARDWARE**A. DOOR CLOSER** (see accessories p. 107)**Surface mounted:**

Door closers both with arm and slide rail have to be chosen according to the weight and size of a door leaf.

Installation of a door closer requires reinforcing door leaf and door frame.

B. HINGES (see accessories p. 106)

- two-part barrel hinges
- three-part reinforced hinges

C. GLAZING

- Glazing patterns in line with Porta's current offer or in line with client's demands.
- Glazing types in line with Porta's current offer or in line with client's demands (thickness range 4 – 6 mm).
Tempered glass or laminated glass available.
- Glazing beads made of steel.
- Stainless steel porthole with internal diameter: 250 mm for sizes '60' and '70' and 300 mm for other sizes.

D. LOCKS (see accessories p. 109)

Main lock with a stainless steel strike plate: key lock, WC lock, cylinder lock.

Roller lock with a stainless steel strike plate.

Anti-panic lock.

Offered locks:

- single leaf doors, mortise lock GBS 92 72/65 function B
- double leaf doors: active leaf mortise lock GBS 93 72/65 function B, passive leaf – counter lock GBS 94

Anti-panic hardware is available in two options handle – handle, handle – panic bar.

E. DOOR FRAMES (more information on p. 17-21)

Available door frame types:

Steel:

- Corner profile stainless steel – LARGE
- Corner profile, painted – LARGE

There is a possibility to have accessories not featured above (e.g. electric door magnet, electric door stop, automatic flush bolt p. 107/108), after consulting with Contract Department.



Steel BASIC

Technical Assessment AT-15-8081/2016 • Hygienic Certificate 85/322/86/2019

Strength performance class 1 in accordance with PN-EN 1192:2001



> INDICATIONS FOR USE

Indications for use of low-cost, interior steel doors DWL-S Basic: as a barrier between rooms in residential buildings and public buildings.

DOOR MARK: DWL-S

> CONSTRUCTION

A. SKIN

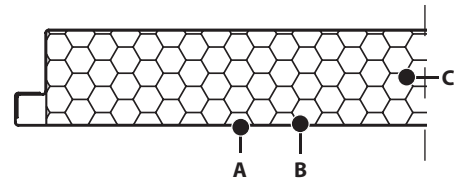
Galvanized steel sheet 0,5 mm.

B. FINISH

Coated steel sheet, galvanized steel sheet.
Colours from Porta's standard offer.

C. CORE

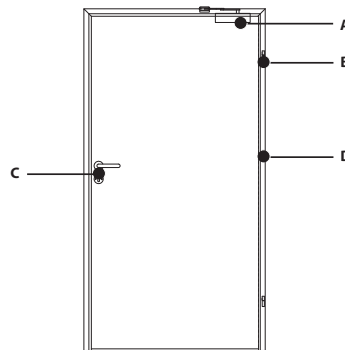
Stabilising infill honeycomb or expanded polystyrene.



DIMENSION RANGES WITHIN PORTA'S STANDARD OFFER

DOOR TYPE	DOOR LEAF WIDTH S_3	DOOR LEAF HEIGHT H_3
Single leaf solid doors	max 1052 mm	max 2030 mm

> ACCESSORIES AND HARDWARE



A. DOOR CLOSER (see accessories p. 107)

Surface mounted: Door closers both with arm and slide rail have to be chosen accordingly to the weight and size of a door leaf. Installation of a door closer requires reinforcing door leaf and door frame.

B. HINGES (see accessories p. 106)

Two-part barrel hinges.

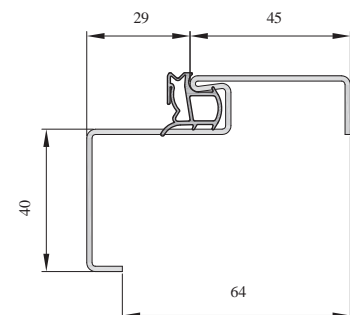
C. LOCK (see accessories p. 109)

Main lock cylinder lock.

D. DOOR FRAME (more information p. 17-21)

Corner profile – SMALL, made of galvanized steel sheet finished with polyester paint 1,2 mm.

B1 Front face height [mm] – standard 40	B2 Back face
30-55	16,5



National Technical Assessment No. ITB-KOT-2018/0358 issue 1 for all wooden door frames

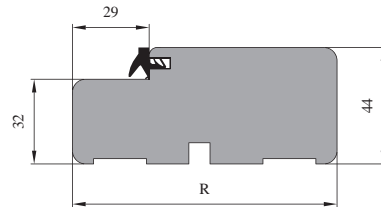
> WOODEN DOOR FRAMES

Available options: MINIMAX fixed door frame, Porta SYSTEM adjustable door frame (for rebated doors) and Porta SYSTEM ELEGANCE (for non-rebated doors). Door frames are finished with veneers from Porta's standard offer and can be finished with non-standard veneers. For fixed frames we offer quaterrounds and architraves, Fixed door frames, made of laminated glued softwood are also available. Door frames dimensions shown below do not include veneer thickness.

MINIMAX FIXED DOOR FRAME 100

R Profile width [mm]	Door frame type
100	100

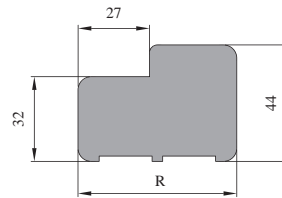
Available in synthetic veneers.



MINIMAX FIXED DOOR FRAME 60

R Profile width [mm]	Door frame type
60	60

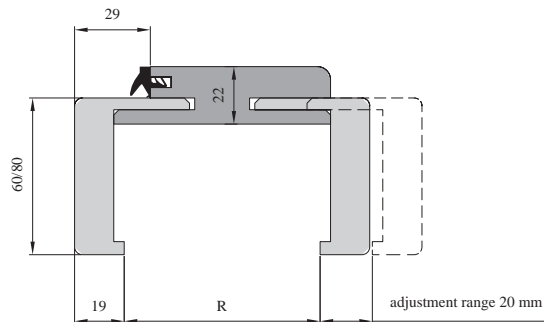
Available in synthetic veneers.



PORTA SYSTEM DOOR FRAME

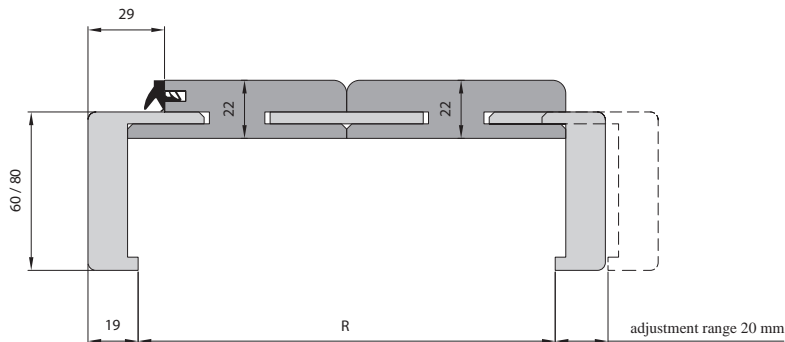
R Adjustment range [mm]	Door frame type
50-55	<input checked="" type="checkbox"/> A3
60-70	<input checked="" type="checkbox"/> A2
65-75	<input checked="" type="checkbox"/> A1
75-95	A
95-115	B
120-140	C
140-160	D
160-180	E
180-200	F
200-220	G
220-240	H
240-260	I
260-280	J
280-300	K
300-320	<input checked="" type="checkbox"/> L
320-340	<input checked="" type="checkbox"/> M
340-360	<input checked="" type="checkbox"/> N

- ranges M and N available only in synthetic veneers



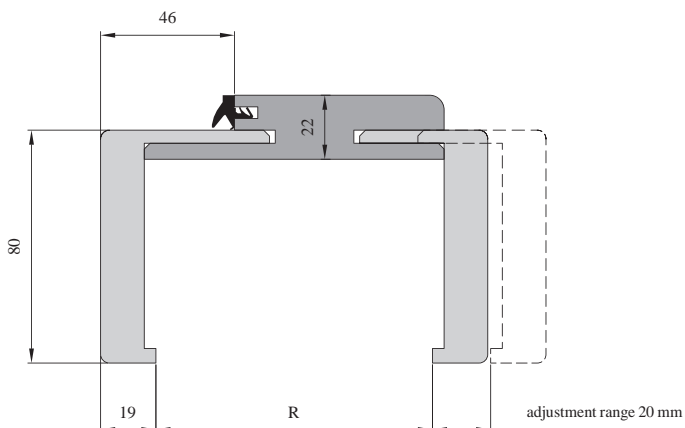
PORTA SYSTEM DOOR FRAME (EXTENDED)

R Adjustment range [mm]	Door frame type
288-308	D+D
308-328	E+D
328-348	E+E
348-368	F+E
368-388	F+F
388-408	G+F
408-428	G+G
428-448	H+G
448-468	H+H
468-488	I+H
488-508	I+I
508-528	J+I
528-548	J+J
548-568	K+J
568-588	K+K



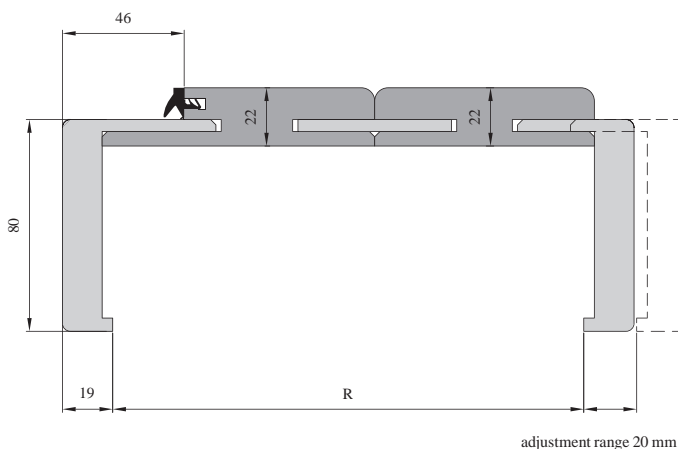
PORTA SYSTEM ELEGANCE DOOR FRAME – SYNTHETIC VENEERS

R Adjustment range [mm]	Door frame type
85-95	<input checked="" type="checkbox"/> A
95-115	B
120-140	C
140-160	D
160-180	E
180-200	F
200-220	G
220-240	H
240-260	I
260-280	J
280-300	K
300-320	<input checked="" type="checkbox"/> L
320-340	<input checked="" type="checkbox"/> M
340-360	<input checked="" type="checkbox"/> N



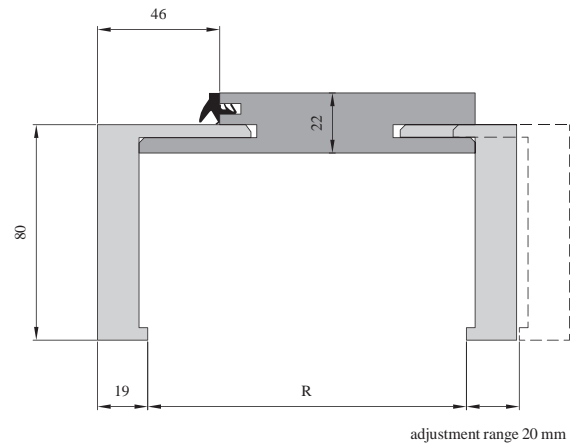
PORTA SYSTEM ELEGANCE DOOR FRAME (EXTENDED) – SYNTHETIC VENEERS

R Adjustment range [mm]	Door frame type
288-308	D+D
308-328	E+D
328-348	E+E
348-368	F+E
368-388	F+F
388-408	G+F
408-428	G+G
428-448	H+G
448-468	H+H
468-488	I+H
488-508	I+I
508-528	J+I
528-548	J+J
548-568	K+J
568-588	K+K



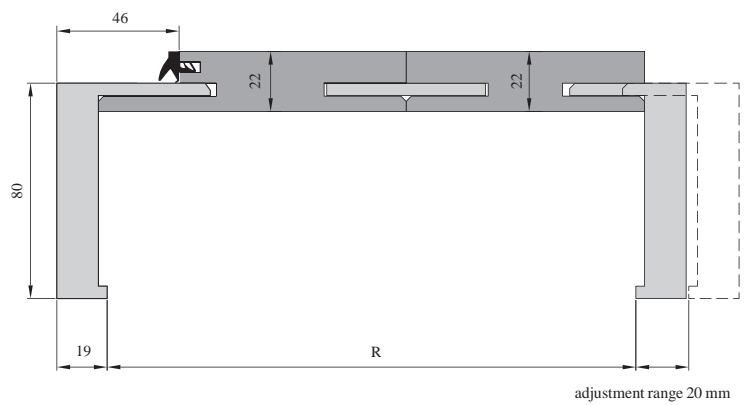
PORTA SYSTEM ELEGANCE DOOR FRAME – NATURAL VENEERS

R Adjustment range [mm]	Door frame type
85-95	<input checked="" type="checkbox"/> A
95-115	B
120-140	C
140-160	D
160-180	E
180-200	F
200-220	G
220-240	H
240-260	I
260-280	J
280-300	K
300-320	<input checked="" type="checkbox"/> L



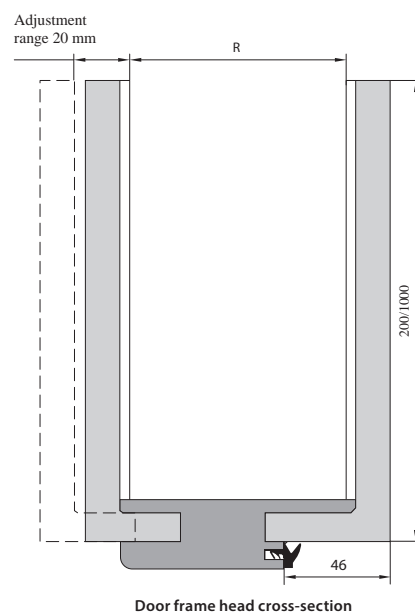
PORTA SYSTEM ELAGANCE DOOR FRAME (EXTENDED) – NATURAL VENEERS

R Adjustment range [mm]	Door frame type
288-308	D+D
308-328	E+D
328-348	E+E
348-368	F+E
368-388	F+F
388-408	G+F
408-428	G+G
428-448	H+G
448-468	H+H
468-488	I+H
488-508	I+I
508-528	J+I
528-548	J+J
548-568	K+J
568-588	K+K



LEVEL DOOR FRAME (door frame head cross-section)

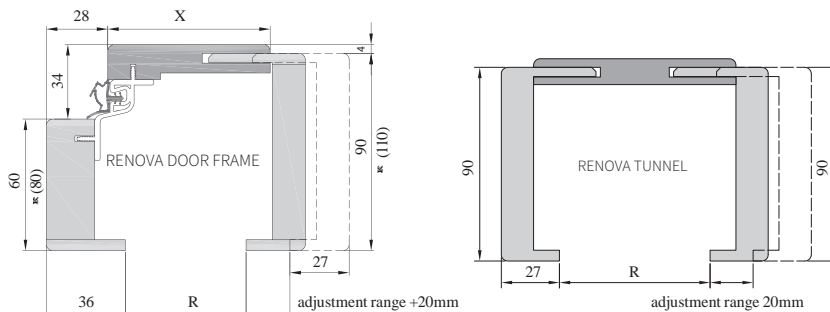
R Adjustment range [mm]	Door frame type
95-115	B
120-140	C
140-160	D
160-180	E
180-200	F
200-220	G
220-240	H
240-260	I
260-280	J
280-300	K



*ranges L, M, N can be ordered in Contract order.

RENOVA DOOR FRAME, RENOVA TUNNEL

R Adjustment range [mm]	Door frame type	Tunnel type
55-75	5	5
75-95	A	A
95-115	B	B
120-140	C	C
140-160	D	D
160-180	E	E
180-200	F	F
200-220	G	G
220-240	H	H
240-260	I	I
260-280	J	J



> STEEL DOOR FRAMES

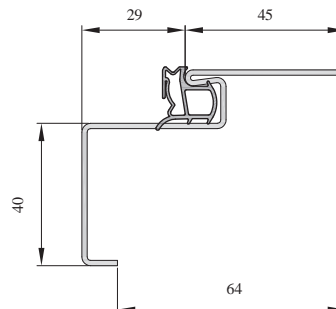


National Technical Assessment: ITB-KOT-2017/0245 issue.1 – folding steel door frames. **ITB-KOT-2018/0687 issue 1**– folding steel door frames.
NOTE: Does not regard door frame covers – Project Premium and FAST door frame.

Made of galvanized steel, 1,2 mm thick and 1,5 mm thick. Powder coated, available in colours from Porta's current offer or in any RAL or NCS colour. Stainless steel and film laminated steel sheet PCV is available for Corner Profile Frame – FOLDING LARGE.

CORNER PROFILE STEEL DOOR FRAME – SMALL PLUS

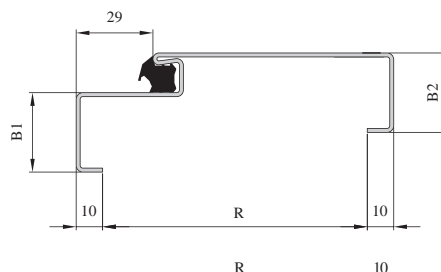
B1 Front face height [mm] – standard 40	B2 Back face
30-55	16,5



CORNER PROFILE DOOR FRAME – LARGE (galvanized steel sheet)

CORNER PROFILE DOOR FRAME – FOLDING LARGE (stainless steel, galvanized steel sheet, film laminated steel sheet PCV*)

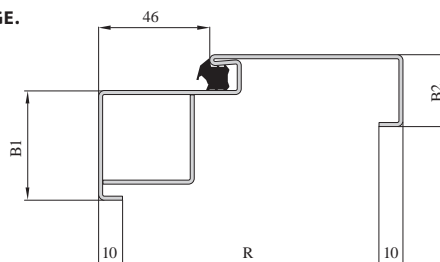
	R Profile width [mm] standard 105	B1 Front face height [mm] standard 40	B2 Back face height [mm] standard 30
galvanized steel sheet	80-480	30-55	30-75
stainless steel sheet	80-150	30	30



* Standard profile R=80 mm is the only one available for frame made of PVC.

CORNER PROFILE NON-REBATED DOOR FRAME, WITH CONCEALED HINGES – LARGE.

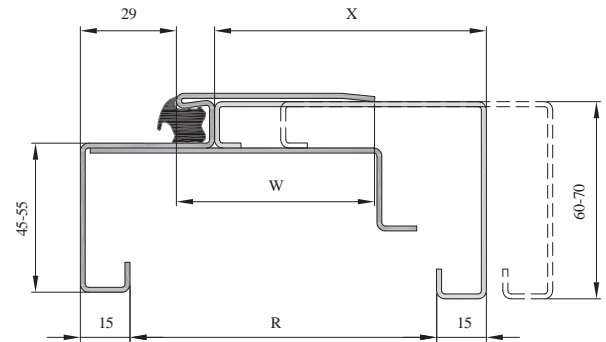
	R Profile width [mm] standard 105	B1 Front face height [mm] standard 40	B2 Back face height [mm] standard 30
galvanized steel sheet	80-480	50-55	30-75



ADJUSTABLE STEEL DOOR FRAME

Made of galvanized steel sheet 1,5 mm.

R Adjustment range [mm]	Door frame type	X Profile adjustable part [mm]	W Profile fixed part [mm]
95-120	A	82	50
121-145	B	105	60
146-170	C	130	
171-195	D	155	70
196-220	E	180	
221-245	F	205	80
246-270	G	230	
271-295	H	255	
296-320	K I	280	
321-345	K J	305	
346-370	K K	330	
371-395	K L	355	
396-420	K M	380	
421-445	K N	405	
446-470	K O	430	

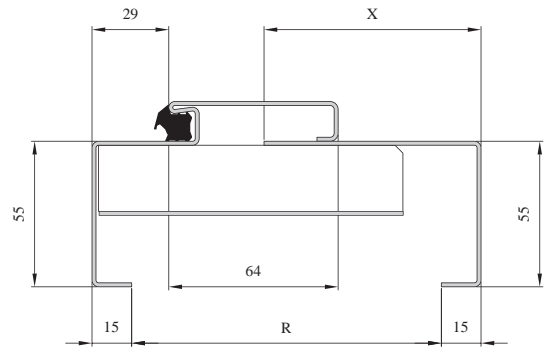


B1 Front face height [mm] standard 45	B2 Back face height [mm] standard 60
K 50-55	K 65-75

K – Adjustable steel door frame with the adjustable part „curve R20” available as a bespoke order

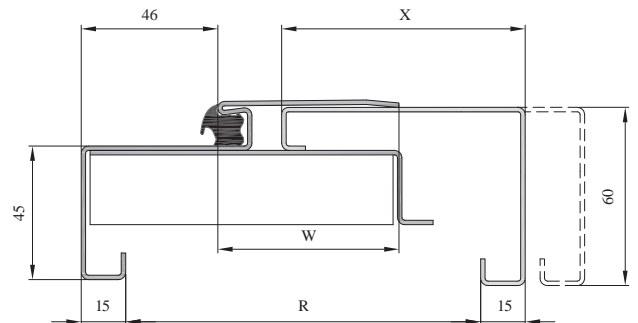
ADJUSTABLE STEEL DOOR FRAME PORTA SYSTEM

R Adjustment range [mm]	Door frame type	X Profile adjustable part [mm]
95-120	A	80
121-145	B	105
146-170	C	130
171-195	D	155
196-220	E	180
221-245	F	205
246-270	G	230
271-295	H	255



K ADJUSTABLE STEEL DOOR FRAME, NON-REBATED WITH CONCEALED HINGES

R Adjustment range [mm]	Door frame type	X Profile adjustable part [mm]	W Profile fixed part [mm]
95-120	A	82	50
121-145	B	105	60
146-170	C	130	
171-195	D	155	70
196-220	E	180	
221-245	F	205	80
246-270	G	230	
271-295	H	255	
296-320	K I	280	
321-345	K J	305	
346-370	K K	330	
371-395	K L	355	
396-420	K M	380	
421-445	K N	405	
446-470	K O	430	



A large, stylized graphic of a flame in shades of teal, positioned on the right side of the page. The flame is composed of several overlapping, curved shapes that create a sense of movement and heat. The background is a solid teal color.

Fire-rated Doors

Quartz

Apartment entrance doors / p. 24



EI30

Technical doors / p. 27



PORTA STEEL
PRODUCT

Steel EI30

Technical doors / p. 33



EI60

Technical doors / p. 35



PORTA STEEL
PRODUCT

Steel EI60

Technical doors / p. 40



**Other doors with
strength performance class:**

GRANITE – anti-burglary doors, class C / p. 44

GRANITE – anti-burglary doors, class RC3 / p. 47

SILENCE 37dB / p. 74

42dB / p. 80

National Technical Assessment No. ITB-KOT-2017/0007 issue. 1 • National Certification of Constancy of Performance No. 020-UWB-0567/W
 • Hygienic Certificate 87/322/88/2018

Fire-resistance EI₃₀ in accordance with PN-EN 13501-2+A1:2010
Smoke control S₁, S₂₀₀ in accordance with PN-EN 13501-2+A1:2016
Strength performance class 3 in accordance with PN-EN 1192:2001
Acoustic rating D₁30, D₂30 in accordance with PN-B-02151-3:2015 and Rw 32dB wg PN-87/B-02151/03
Burglar resistance class RC₂ in accordance with PN-EN 1624:2012 (Quartz Type III only)




> INDICATIONS FOR USE

Indications for use of internal wooden doors, type DT-K32: as apartment entrance doors in residential buildings and public buildings. Thanks to endurance properties, they can be used in conditions corresponding to 3rd strength performance class in accordance with PN-EN 1192:2001, i.e. heavy duty.

DOOR MARK: DT-K32 – single leaf solid doors

> CONSTRUCTION

A. FINISH

Veneer: CPL, HPL, PCV, natural standard, natural select.
 Colours and patterns from standard and  non-standard collection.

B. SKIN

Aluminium layer with HDF or slim particle board (doors in natural veneers).

C. RAILS AND STILES

Rails and stiles made of exotic wood and oak.

D. CORE

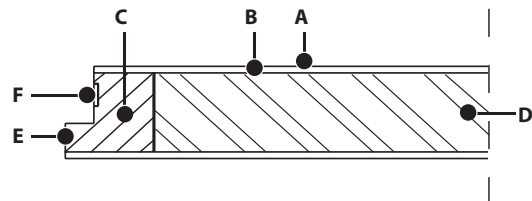
Fireproof infill.

E. LIPPING

Doors finished with CPL – 1 mm thick lipping ABS on vertical edges.
 For other finishes, edge tape in door leaf colour.

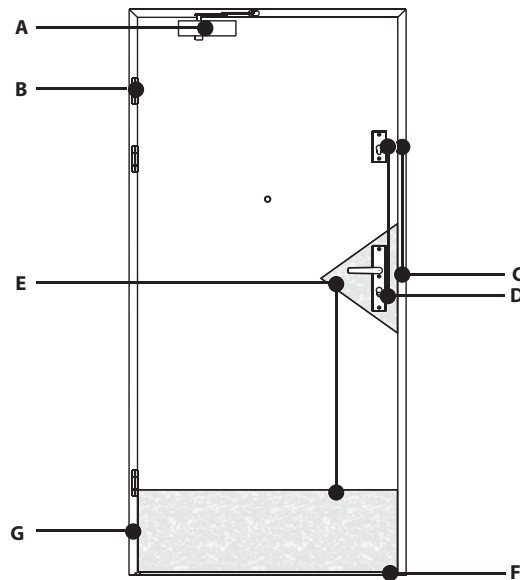
F. SEALING

Intumescent seal.



DIMENSION RANGES WITHING NATIONAL TECHNICAL ASSESSMENT

	DOOR TYPE	DOOR LEAF WIDTH S ₅	DOOR LEAF HEIGHT H ₅
Single leaf	rebated solid doors	844-1144 mm	max. 2250 mm

> ACCESSORIES AND HARDWARE**A. DOOR CLOSER** (see accessories p. 107)

Doors are prepared as standard for installation of surface mounted door closers.

Offered door closers:

Surface mounted:**• with an arm**

- Geze TS 4000 (door leaf width '60' – '110')
- Eco Schulte TS 21 (door leaf width '60' – '110')
- Dorma TS 83 (door leaf width '60' – '110')
- Dorma TS 71, TS 73V (door leaf width '60' – '110')

• with a slide rail

- Geze TS 5000 (door leaf width '60' – '110')
- Dorma TS 93 (door leaf width '60' – '110')
- Geze TS 3000V (door leaf width '60' – '110')

☒ Concealed*:

Installation requires special preparation of a door leaf and a door frame.

- Eco Schulte ITS Multi Genius
- Dorma ITS 96
- Geze Boxer 2-4

* – type I and II are in consonance with National Technical Assessment.
 QUARTZ TYPE III – with concealed door closer no parameters warranted.

B. HINGES (see accessories p. 106)

- three-part reinforced hinges
- ☒ heavy duty VX7939/160 made of stainless steel

C. ☒ ELECTRIC STRIKE (see accessories p. 108)

Offered electric strikes:

- fail secure: Eff Eff 142U (to work with the main lock)
 - fail-safe: Eff Eff 342U (to work with additional latch lock)
- Power supply as recommended by the producer.

D. LOCKS (see accessories p. 109)

- **Main lock** cylinder lock Quartz type I.
- **Two cylinder locks** (main, additional upper lock) Quartz type II.
- **Four point lock** with two cylinders Quartz type III.
- ☒ **Mortise latch bolt lock** to work with fail-safe electric strike (only QUARTZ type I).

E. [K] STAINLESS STEEL PANEL (see accessories p. 107)

Door leaves can be equipped with stainless steel panels, 0,6 mm thick.

Offered panels:

- 'kick-panel' 300 mm high
- 'push-panel' placed at handle level, 300 mm high

F. BOTTOM SEALING

Stainless steel threshold (in a set with a door frame).

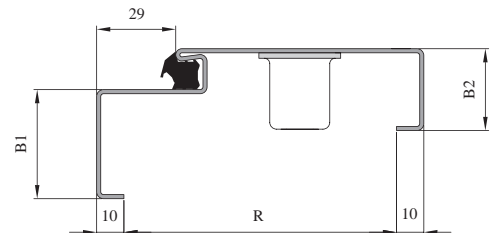
- [K] Wooden threshold.
- [K] Automatic threshold seal.

G. DOOR FRAMES

STEEL DOOR FRAME

Made of galvanized steel 1,5 mm thick. Powder coated, available in colours from Porta's current offer or [K] in any RAL or NCS colour. It is reinforced for a door closer. Available in two options: to be installed on finish floor level '0' or under floor level-'30' [mm].

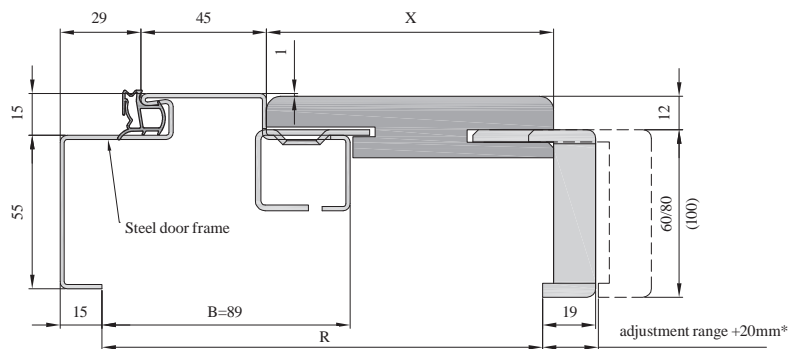
R Adjustment range [mm] – standard 100	B1 Front face height [mm] – standard 40	B2 Back face height [mm] – standard 30
80-480	[K] 30-55	[K] 30-75



PROJECT BIS DOOR FRAME

Steel door frame with PROJECT BIS cover, finished in line with a door leaf.

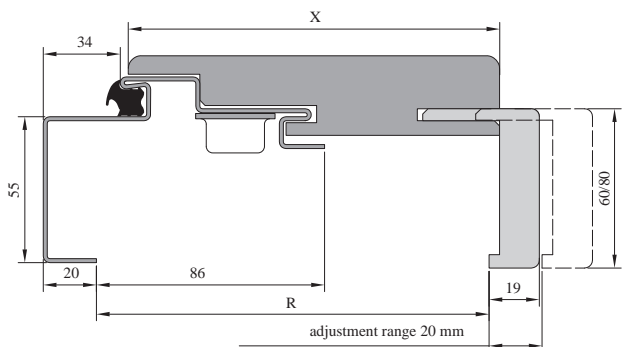
Adjustment range R [mm]	Door frame type	X QUARTZ cover [mm]
138-153	A*	83
158-178	B	103
183-203	C	128
203-223	D	148
223-243	E	168
243-263	F	188
263-283	G	208
283-303	H	228
303-323	I	248
323-343	J	268
343-363	K	288
363-383	[K] L	308
383-403	[K] M	328
403-423	[K] N	348



NOTE: * for range A regulation +15 mm | [K] – contract

[K] PROJECT DOOR FRAME – MODIFIED

R Adjustment range [mm]	Door frame type	X OPAL cover [mm]
138-158	B	130
163-183	C	155
183-203	D	175
203-223	E	195
223-243	F	215
243-263	G	235
263-283	H	255
283-303	I	275
303-323	J	295
323-343	K	315



NOTE: Door leaf contract, dimensions enlarged, Ss (+20 mm), Hs (+10 mm).

[K] There is a possibility to have accessories that are not featured above (e.g. electric door magnets, electric door stops, p. 107/108) after consulting with Contract Department.

National Technical Assessment No ITB-KOT-2017/0007 issue. • National Certification of Constancy of Performance No020-UWB-0567/W • Hygienic Certificate 87/322/88/2018 • National Technical Assessment ITB-KOT-2018/0407 (Ei-30 Halspan) • National Certification of Constancy of Performance No 020-UWB-2707/W (Ei30 Halspan) • Hygienic Certificate: 86/322/86/2019 (Ei-30 Halspan)

Fire-resistance EI₂30 in accordance with PN-EN 13501-2+A1:2010

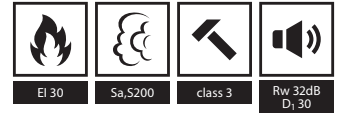
Fire-resistance Halspan EI₂ 30 PN-EN 13501-2+A1:2016

Smoke control S_a,S₂₀₀ in accordance with PN-EN 13501-2+A1:2016 (doors with threshold or with automatic threshold seal)

Smoke control Halspan PN-EN 13501-2:2016

Strength performance class 3 in accordance with PN-EN 1192:2001

Acoustic rating D₁30, D₂30 in accordance with PN-B-02151-3:2015 and R_w 32dB in accordance with PN-87/B-02151/03



> INDICATIONS FOR USE

Indications for use of fire resistant doors: type DT-PP-DY – apartment entrance doors; types DT-OP-DY, DT-PP-2S, DT-OP-2S – internal doors in public buildings and residential buildings. Thanks to endurance properties these doors can be used in conditions corresponding to 3rd strength performance class in accordance with PN-EN 1192:2001, i.e. heavy duty.

DOOR MARKS: DT-OP-DY single leaf glazed doors

DT-OP-2S double leaf glazed doors

DT-PP-DY single leaf solid doors

DT-PP-2S double leaf solid doors

> CONSTRUCTION

A. FINISH

Veneer: CPL, HPL, PCV, natural standard, natural select and other veneers from Porta's offer. Colours and patterns from standard and non-standard collection.

B. SKIN

HDF or slim particle board (door leaves in natural veneer).

C. RAILS AND STILES

Rails and stiles made of exotic wood and oak.

D. CORE

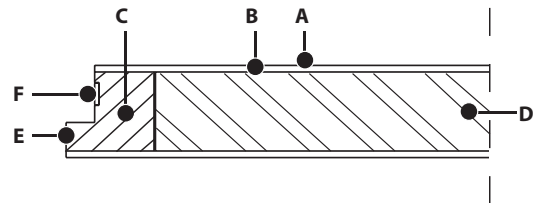
Fireproof infill.

E. LIPPING

Doors finished with CPL – 1 mm thick lipping ABS on vertical edges. For other finished edge tape in door leaf colour.

F. SEAL

Intumescent seal.



DIMENSION RANGES WITHIN NATIONAL TECHNICAL ASSESSMENT

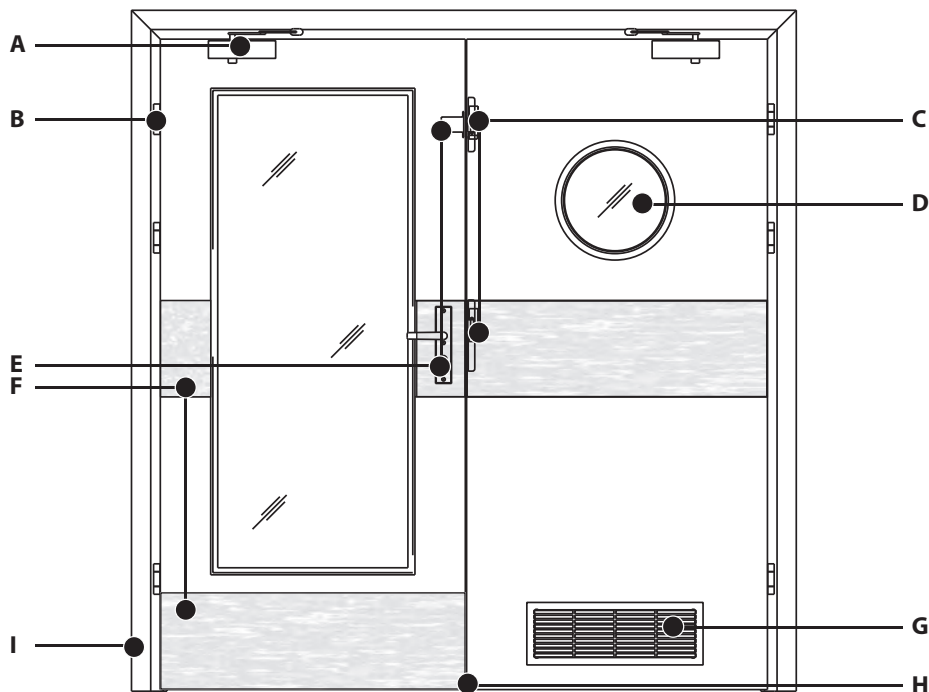
DOOR TYPE	DOOR LEAF WIDTH S _s	DOOR LEAF HEIGHT H _s
Single leaf, solid or glazed doors	max.1144mm / Halspan max.1226mm*	max.2200mm / Halspan max.2510mm**
Double leaf, solid or glazed doors	max.1044mm / Halspan max.1226mm*	

NOTE:

* – maximum width differs depending on door frame type! More information in KOT Ei-30 Halspan.

** – maximum height differs depending on door frame type! More information in KOT Ei-30 Halspan.

> ACCESSORIES AND HARDWARE



A. DOOR CLOSER (see accessories p. 107)

Doors are prepared as standard for installation of surface mounted door closers.

Offered door closers:

Surface mounted:

• **with an arm**

- Geze TS 4000 (door leaf width '60' – '110')
- Eco Schulte TS 21 (door leaf width '60' – '110')
- Dorma TS 83 (door leaf width '60' – '110')
- Dorma TS 71, TS 73V (door leaf width '60' – '100')

• **with a slide rail**

- Geze TS 5000 (door leaf width '60' – '110')
- Dorma TS 93 (door leaf width '60' – '110')
- Geze TS 3000V (door leaf width '60' – '100')

Concealed:

Installation requires special preparation of a door leaf and a door frame.

- Eco Schulte ITS Multi Genius
- Dorma ITS 96
- Geze Boxer 2-4

B. HINGES (see accessories p. 106)

• **Rebated doors:**

- three-part reinforced hinges nickel colour, **K** heavy-duty stainless steel hinges VX7939/160 for steel door frames
- heavy duty, stainless steel hinges VX7939/160, heavy duty Exacta hinges for do MDF door frames

• **Non-rebated doors:**

- **K** heavy duty, stainless steel hinges VX7729/160
- **K** concealed Tectus

C.  ELECTRIC STRIKE (see accessories p. 108)

Offered electric strikes:

- fail secure: Eff Eff 142U (can work with the main lock)
- fail-safe: Eff Eff 342U (to work with additional latch lock)

Power supply as recommended by the producer.

D. GLAZING

The maximum size of glazing depends on the minimum distance from the glass panel to the side and top edge: 160 mm and 365 mm bottom edge:

- single leaf doors 824 x 1675 mm
- double leaf doors 724 x 1675 mm

Glass patterns in line with Porta's offer or  according to client's demand.

Glass types: transparent.

Glazing beads made of MDF.

Porthole made of MDF, painted or finished with veneer. Dimensions to be agreed, recommended size – internal diameter 315 mm.

E. LOCKS (see accessories p. 109)

Main lock: cylinder lock.


 **Additional upper lock:** cylinder lock.

 **Anti-panic lock.**

Offered locks:

- single leaf doors: mortise lock GBS 93 72/65 function B
- double leaf doors: active leaf GBS 93 72/65 function B, passive leaf GBS 94

Anti-panic hardware is available in two options: handle – handle, handle – panic bar.

 **Latch lock:** additional lock to work with fail safe electric strike.

 **Hotel lock.**

Doors with fire resistance and/or smoke control – there is an option to use: any hardware included in National Technical Assessment; hardware which has been placed on the market and approved with relevant number or symbol (on 4th position of the classification code) in a Technical Approval, National Technical Assessment or European Technical Assessment.

RECOMMENDED HOTEL LOCKS

Ving Card Euro
Kaba 760, 790, 770
Tayama IT 5600
Inhova 2UB4A
Miwa AL5H
LOB 8002, 8005, 8006, 8008
Onity HT24 LOB
Hartmann Tresore HDL MF 20

F.  STAINLESS STEEL PANEL (see accessories p. 107)

Door leaves can be equipped with stainless steel panels, 0,6 mm thick.

Offered panels:

- 'Kick-panel' 300 mm high
- 'Push-panel' placed at handle level, 300 mm high

G.  VENTILATION (see accessories p. 107)

- Maximum dimension of ventilation grill Lorient 600 x 600 mm .

Offered fire resistant ventilation grille – Lorient.:

- intumescent core dimensions 150 x 500 mm, metal slats powder coated, silver colour



The grille meets the requirements regarding vent area, not smaller than 220 cm².

Ventilation grille can be ordered in any RAL or NCS colour.

NOTE! Doors with a ventilation grille do not have smoke control parameters and acoustic rating.




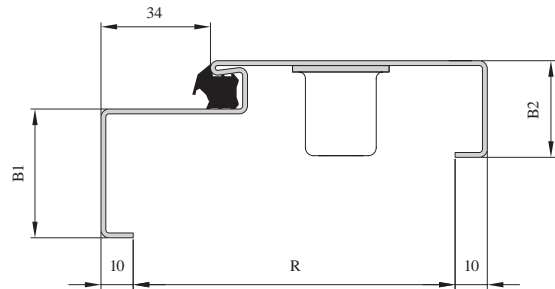
H. BOTTOM SEALING



- automatic threshold seal
-  stainless steel threshold
-  wooden threshold

I. DOOR FRAMES

CORNER PROFILE STEEL DOOR FRAME

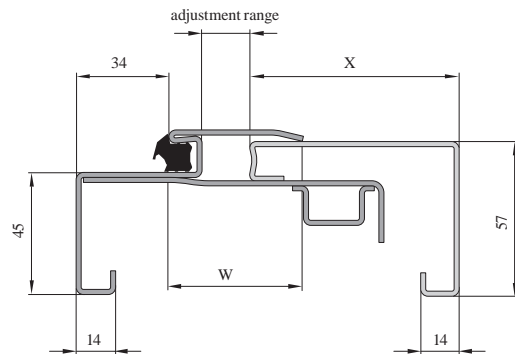
Made of galvanized steel, 1,5 mm thick. Powder coated, available in colours from Porta's current offer or  in any RAL or NCS colour. It's reinforced for a door closer. Available in two options: to be installed on finished floor level '0' or under floor level '-30' [mm].



R Profile [mm] - standard 100	B1 Front face height [mm] - standard 40	B2 Back face height [mm] - standard 30
80-480	 30-55	 30-75

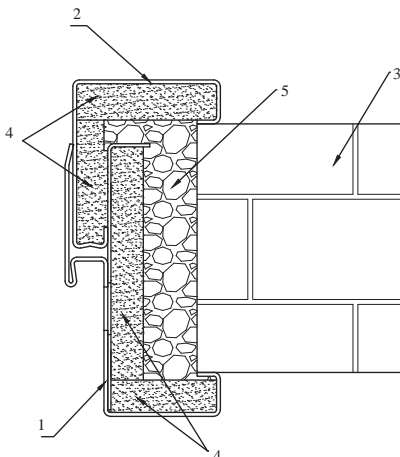
 ADJUSTABLE STEEL DOOR FRAME

R Adjustment range [mm]	Door frame type	X Profile adjustable part [mm]	W Profile fixed part [mm]
95-120	A	82	50
121-145	B	105	60
146-170	C	130	70
171-195	D	155	70
196-220	E	180	80
221-245	F	205	80
246-270	G	230	80
271-295	H	255	90



Adjustable steel door frame - GROUP RI

How to fill the door frame profile during installation doors with fire resistance and/or smoke control.



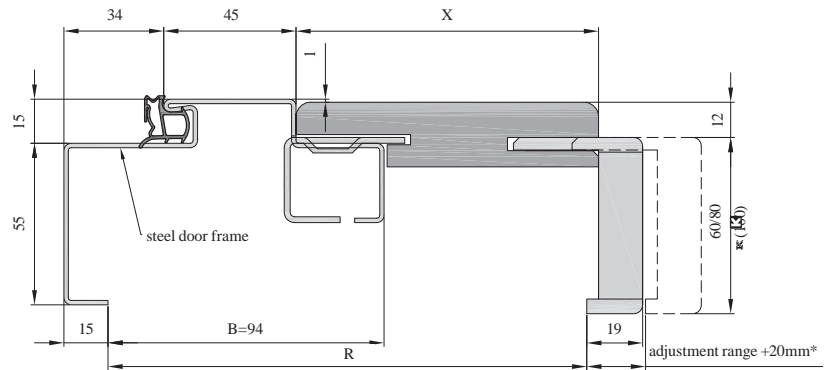
Description:

1. Adjustable steel door frame - main profile
2. Adjustable steel door frame - adjustable part profile
3. Wall
4. Plaster board + gypsum mortar
5. Expanding foam, type approved in National Technical Assessment

PROJECT BIS DOOR FRAME

Steel door frame with PROJECT BIS cover finished with the same veneer as the door leaf.

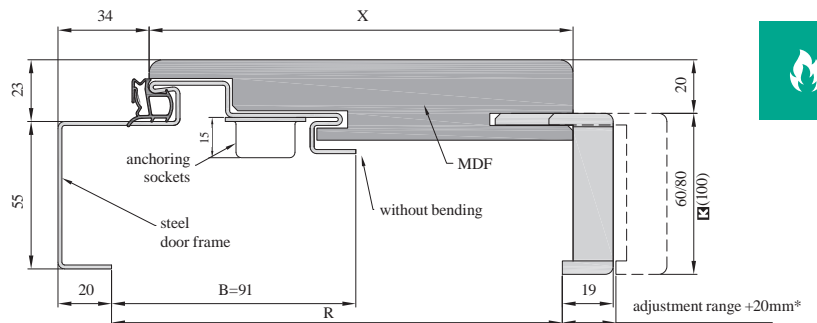
R Adjustment range [mm]	Door frame type	X Dimension [mm] EI30 cover
143-158	A*	83
163-183	B	103
188-208	C	128
208-228	D	148
228-248	E	168
248-268	F	188
268-288	G	208
288-308	H	228
308-328	I	248
328-348	J	268
348-368	K	288
368-388	☒ L	208
388-408	☒ M	228
408-428	☒ N	248



*for range A regulation +15 mm | ☒ – Contract

MODIFIED PROJECT DOOR FRAME

R Adjustment range [mm]	Door frame type	X Dimension [mm] EI30 cover
143-163	B	133
168-188	C	158
188-208	D	178
208-228	E	198
228-248	F	218
248-268	G	238
268-288	H	258
288-308	I	278
308-328	J	298
328-348	K	318



NOTE! Steel profile available only in Contract order.

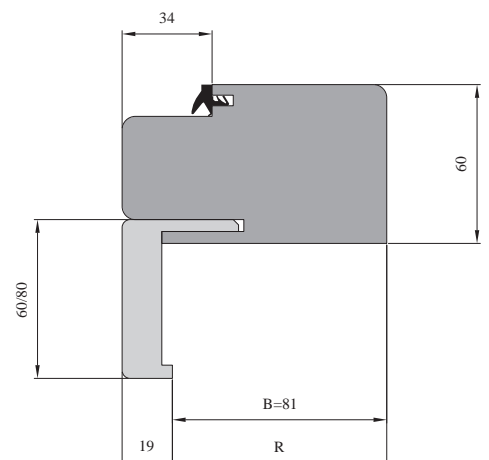
EI 30 MDF DOOR FRAMES

Architraves and quaterrounds available. ☒ Fixed door frames can be also made of glued laminated softwood. Door frame dimensions shown below do not include veneer thickness.

- Fixed door frame 100 mm, made of MDF, finished with door leaf veneer.

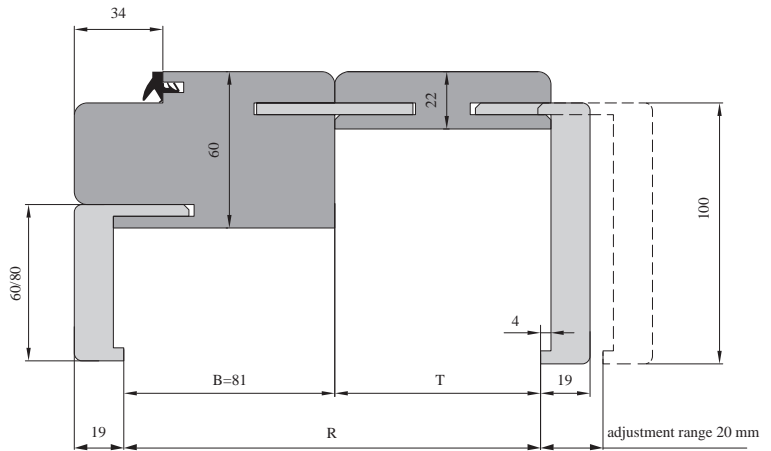
Adjustment range [mm]	Door frame type	B EI30 beam [mm]
81	100	81


– Other dimensions of R beam are also available.



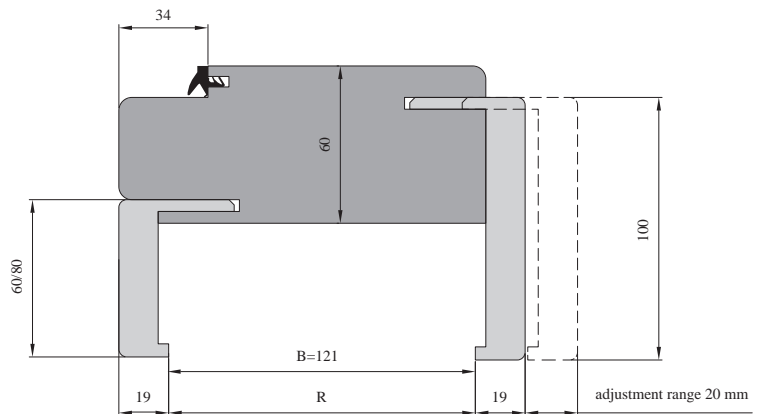
• Adjustable door frame 137 – 385 mm (with PS tunnel).


R Adjustment range [mm]	T Door frame type [mm]	R = (B + T) [mm]
137-157	- A137	81 + (60 - 4)
160-180	A	81 + (83 - 4)
180-200	B	81 + (103 - 4)
205-225	C	81 + (128 - 4)
225-245	D	81 + (148 - 4)
245-265	E	81 + (168 - 4)
265-285	F	81 + (188 - 4)
285-305	G	81 + (208 - 4)
305-325	H	81 + (228 - 4)
325-345	I	81 + (248 - 4)
345-365	J	81 + (268 - 4)
365-385	K	81 + (288 - 4)



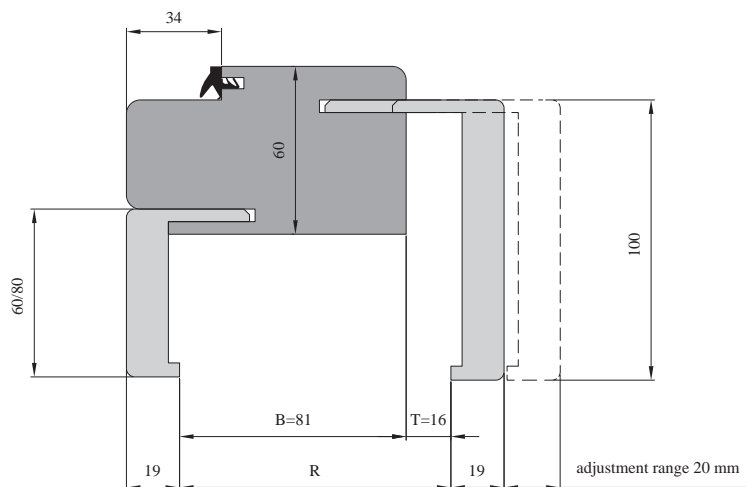
•  Adjustable door frame 117 – 137 mm (with the adjustable architraves).


R Adjustment range [mm]	Door frame type	R = (B - 4) [mm]
117-137	A 117	(121 - 4)



•  Adjustable door frame 97 – 117 mm (with an extended adjustable architrave).

R Adjustable door frame [mm]	Door frame type	R = (B + T) [mm]
97-117	A 97	81 + 16



 There is a possibility to have accessories that are not featured above (e.g. electric door magnet, electric door magnet, automatic shootbolt, p. 107/108), after consulting with Contract Department.



Technical Assessment AT-15-7236/2016 • Certificate of Conformity ITB-2285/W • Hygienic Certificate 85/322/86/2019

Fire resistance EI30 in accordance with PN-EN 13501-2:2016
Strength performance class: 2 in accordance with PN-EN 1192:2001




> INDICATIONS FOR USE

Indications for use of fire resistant steel doors DS/P-PP30 and DS/O-PP30: as internal or external doors in industrial buildings and residential buildings. Thanks to endurance properties they can be used in conditions corresponding to 2nd strength performance class in accordance with PN-EN 1192:2001 i.e medium duty. Considering corrosion resistance requirements, doors can be used in environmental conditions described in PN-EN ISO 12944-2:2001, class 3.

DOOR MARK: DS/P-PP30 – fire resistant solid steel doors
DS/O-PP30 – fire resistant glazed steel doors

> CONSTRUCTION

A. FINISH

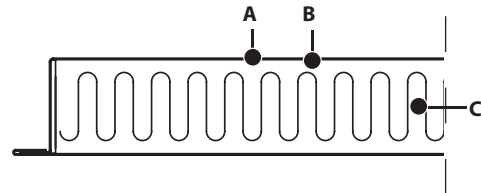
Polyester premium paint.
Colours and patterns from standard and  non-standard collection.

B. SKIN

Galvanized steel sheet, 0,8 mm thick.

C. CORE

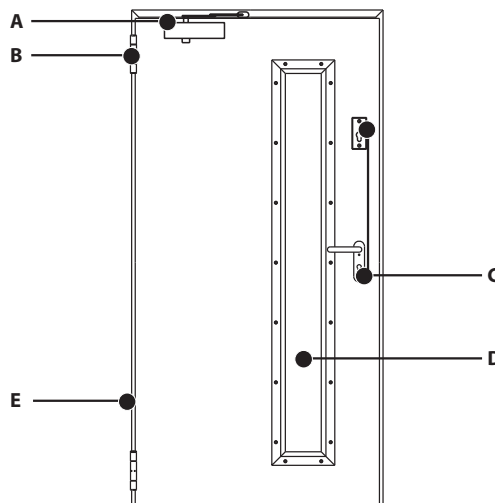
Fireproof mineral wool.



DIMENSION RANGES WITHIN TECHNICAL ASSESSMENT

	DOOR TYPE	DOOR LEAF WIDTH S_s	DOOR LEAF HEIGHT H_s
Single leaf	rebated solid and glazed doors	570-1080 mm	max 2090 mm

> ACCESSORIES AND HARDWARE



A. DOOR CLOSER (see accessories p. 107)

Doors are prepared as standard for installation of surface mounted door closers.

Offered door closers:

• **with an arm**

- Geze TS 4000 (door leaf width '60' – '110')
- Eco Schulte TS 21 (door leaf width '60' – '110')
- Dorma TS 83 (door leaf width '60' – '110')

• **with a slide rail**

- Geze TS 5000 (door leaf width '60' – '110')
- Dorma TS 93 (door leaf width '60' – '110')
- Geze TS 3000V (door leaf width '60' – '110')

B. HINGES

Steel springloaded hinges.

C. LOCKS (see accessories p. 109)

Main lock: cylinder lock.

☒ Additional upper lock: cylinder lock.

☒ Anti-panic lock.

Offered locks:

- single leaf doors, mortise lock GBS 92 72/65 function B

Anti-panic hardware is available in two options: handle – handle, handle – panic bar.

D. GLAZING

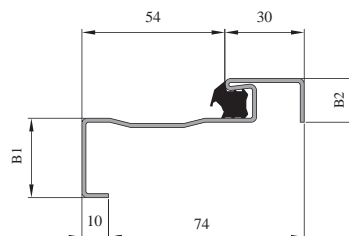
- transparent fire-resistant glass panel, thickness 15 – 17 mm
- glazing patterns in line with Porta's current offer

E. DOOR FRAMES

Made of galvanized steel 1,5 mm thick. Powder painted, available in colours from Porta's current offer or ☒ in any RAL or NCS colour. Two options available to be installed on finish floor level '0' or under floor level '-30' [mm].

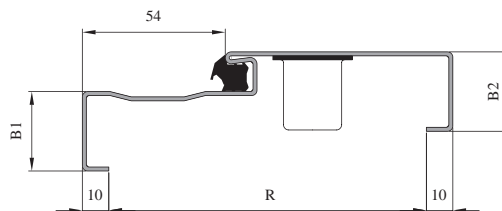
Standard corner profile

B1 Front face dimension [mm] – standard 30	B2 Back face dimension [mm]
☒ 30-55	16,5



☒ Contract corner profile

R Profile [mm]	B1 Front face dimension [mm] – standard 30	B2 Back face dimension [mm] – standard 30
120-480	30-55	30-75



F. ☒ – automatic threshold seal available within Individual Approval Documentation – for more information contact Contract Department

G. ☒ – fire-proof ventilation grilles available within Individual Approval Documentation – for more information contact Contract Department

☒ There is a possibility to have accessories not featured above (e.g. electric door magnets, electric door stops from p. 107/108), after consulting with Contract Department.

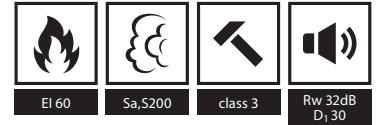
National Technical Assessment No. ITB-KOT-2018/0407 issue 1 • National Certification of Constancy of Performance No 020-UWB-2707/W • Hygienic Certificate 86/322/86/2019

Fire resistance: EI₆₀ in accordance with PN-EN 13501-2+A1:2016

Smoke control: S_a, S₂₀₀ in accordance with PN-EN 13501-2+A1:2016

Acoustic rating: single leaf door – D₁30, D₂25 in accordance with PN-B-02151-3:2015 and Rw 32 dB in accordance with PN-87/B-02151/03, double leaf door – D₁25, D₂25 in accordance with PN-B-02151 3:2015 and Rw 32 dB in accordance with PN-87/B-02151/03

Strength performance class: 3 according to PN-EN 1192:2001



> INDICATIONS FOR USE

Indications for use of Halspan EI 60 doors: as apartment entrance doors in residential buildings and public buildings. Thanks to endurance properties these doors can be used in conditions corresponding to 3rd strength performance class according to PN-EN 1192:2001, i.e. heavy duty.

DOOR MARK: HALSPAN EI60

> CONSTRUCTION

A. FINISH

Veneer: CPL, HPL, PCV, natural standard, natural select.
Colours and patterns from standard and non-standard collections.

B. SKIN

HDF or slim particle board
(door leaves in natural veneer).

C. RAILS AND STILES

Rails and stiles made of glued, laminated softwood.

D. CORE

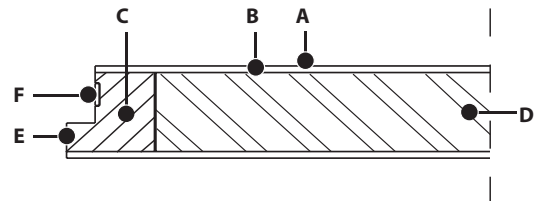
Fireproof infill.

E. LIPPING

Doors finished with CPL – 1 mm thick lipping ABS, on vertical edges.
For other finishes edge tape in door leaf colour.

F. SEALING

Intumescent seal.



DIMENSION RANGES WITHIN NATIONAL TECHNICAL ASSESSMENT

DOOR TYPE	SINGLE DOOR LEAF WIDTH S _s	DOOR LEAF HEIGHT H _s
Single leaf doors, glazed and solid*	max 1226 mm*	max 2510 mm**
Double leaf solid doors	max 1226 mm*	max 2510 mm**
Double leaf glazed doors*	max 1226 mm*	max 2510 mm**

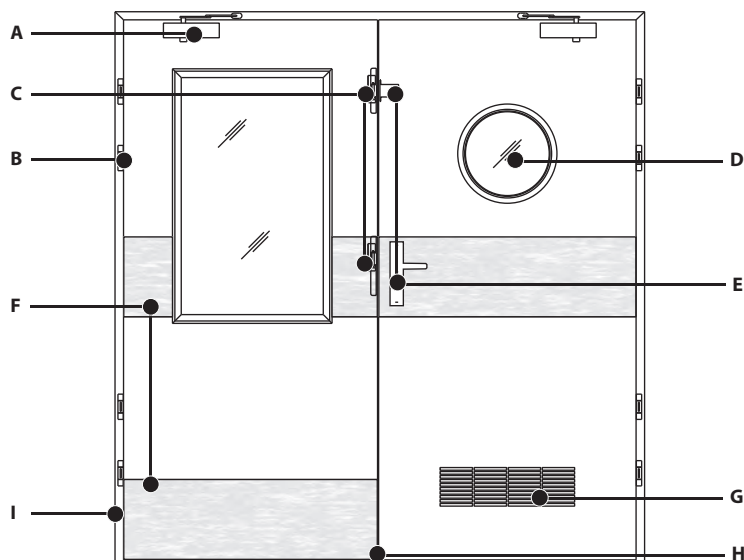
NOTE:

* – maximum width differs depending on door frame type and smoke control presence! More information in National Technical Assessment Ei-60 Halspan.

** – maximum height differs depending on door frame type and smoke control presence! More information in National Technical Assessment Ei-60 Halspan.

*NOTE: Ei-60 doors with glazing do not have smoke control parameters! There is a possibility to order doors with smoke control parameter through Contract Department.

> ACCESSORIES AND HARDWARE



A. DOOR CLOSER (see accessories p. 107)

Doors are prepared as standard for installation of surface mounted door closers.

Offered door closers:

Surface mounted:

• with an arm

- Geze TS 4000 (door leaf width '60' – '110')
- Eco Schulte TS 21 (door leaf width '60' – '110')
- Dorma TS 83 (door leaf width '60' – '110')
- Dorma TS 71, TS 73V (door leaf width '60' – '110')

• with a slide rail

- Geze TS 5000 (door leaf width '60' – '110')
- Dorma TS 93 (door leaf width '60' – '110')
- Geze TS 3000V (door leaf width '60' – '110')

Concealed:

Installation requires special preparation of a door leaf and a door frame.

- Eco Schulte ITS Multi Genius
- Dorma ITS 96
- Geze Boxer 2-4

B. HINGES (see accessories p. 106)

• Rebated doors:

- three-part, reinforced hinges nickel colour or stainless steel heavy duty hinges VX7939/160 for steel door frames
- heavy duty Exacta or stainless steel heavy duty hinges VX7939/160 for wooden door frames

• Non-rebated doors:

- stainless steel heavy duty hinges VX7729/160
- concealed Tectus

C. ELECTRIC STRIKE (see accessories p. 108)

Offered electric strikes:

For single leaf and double leaf doors:

- fail secure: Eff Eff 142U (can work with the main lock)

D. GLAZING

- The maximum size of glazing 671 x 1171 depends on the minimum distance from the glass panel to the side and top edge: 200 mm and 905 mm to the bottom edge.

- Glazing patterns in line with Porta's offer or according to client's demand.
- Glass panel types: transparent.
- Glazing beads made of MDF.
- Porthole made of MDF, painted or finished with veneer. Dimensions to be agreed, recommended size – internal diameter 315 mm.

E. LOCKS (see accessories p. 109)

Main lock: cylinder lock.

Additional upper lock: cylinder lock.

Anti-panic lock.

Offered locks:

- single leaf doors, mortise lock GBS 92 72/65f function B
- double leaf doors: active leaf – mortise lock GBS 93 72/65 function B, passive leaf – counter lock GBS 94

Anti-panic hardware is available in two options: handle – handle, handle – panic bar.

Latch lock additional lock to work with fail-safe electric strike.

Hotel lock.

Doors with fire resistance and/or smoke control – there is an option to use: any hardware included in National Technical Assessment; hardware which is placed on the market and approved with relevant number or symbol (on 4th position of the classification code) in a Technical Approval, National Technical Assessment or European Technical Assessment.

Recommended hotel locks: Ving Card Euro, Kaba 760, 770, 790

F. STAINLESS STEEL PANELS (see accessories p. 107)

Door leaves can be equipped with stainless steel panels, 0,6 mm thick.

Offered panels:

- 'kick-panel' 300 mm high
- 'push-panel' placed at handle level, 300 mm high

G. VENTILATION (see accessories p. 107)

Offered fire-resistant ventilation grille – Lorient:

Intumescent core dimensions 150 x 500 mm with metal slats powder coated in silver colour. The grille meets the requirements regarding vent area not smaller than 220 cm².

Ventilation grille can be ordered in any RAL or NCS colour.

NOTE! Doors with a ventilation grille do not have smoke control parameters and acoustic rating.

H. BOTTOM SEALING

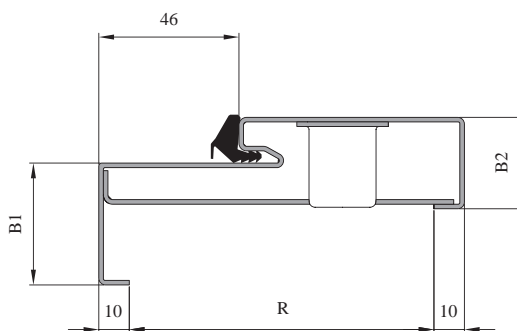
- automatic threshold seal
- stainless steel threshold
- wooden threshold

I. DOOR FRAMES

STEEL DOOR FRAME




Made of galvanized steel, 1,5 mm thick. Powder coated, available in colours from Porta's current offer or RAL or NCS colour. It is reinforced for a door closer. Available in two options: to be installed on finished floor level '0' or under floor level '-30' [mm].

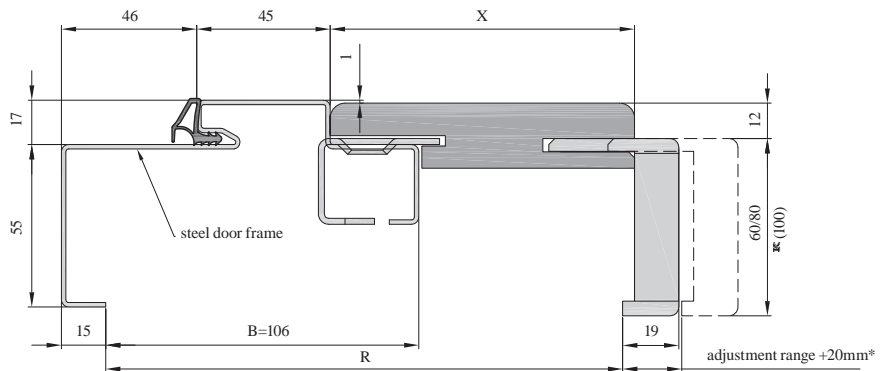
R Profile width [mm] -standard 100	B1 Front face height [mm] standard 40	B2 Back face height [mm] standard 30
80-480	<input checked="" type="checkbox"/> 30-55	<input checked="" type="checkbox"/> 30-75



PROJECT BIS DOOR FRAME

Steel door frame with PROJECT BIS cover, finished with the same veneer as the door leaf.

R Adjustment range [mm]	Door frame type	X EI60 cover [mm]
155-170	A	83
175-195	B	103
200-220	C	128
220-240	D	148
240-260	E	168
260-280	F	188
280-300	G	208
300-320	H	228
320-340	I	248
340-360	J	268
360-380	K	288
380-400	 L	308
400-420	 M	328
420-440	 N	348

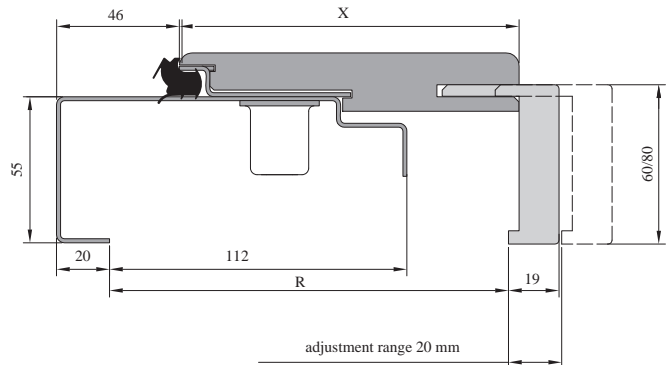


NOTE: for range A adjustment +15 mm

 - contract

PROJECT PREMIUM DOOR FRAME

R Adjustment range [mm]	Door frame type	X Dimension [mm] EI60 cover
150-170	B	128
170-190	C	148
190-210	D	168
210-230	E	188
230-250	F	208
250-270	G	228
270-290	H	248
290-310	I	268
310-330	J	288
330-350	K	308



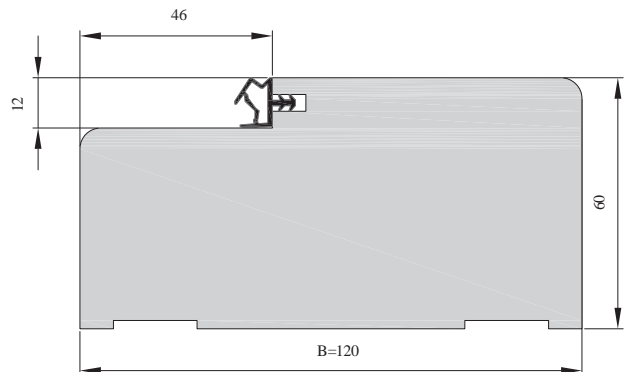
NOTE: this option is available only as a custom order with Individual Approval Documentation, confirming fire resistance, however without smoke control and acoustic rating.

WOODEN DOOR FRAME 120 MM

For fixed frames we offer quaterrounds and architraves. Door frames dimensions shown below do not include veneer thickness.

• Fixed door frame 120 mm, made from laminated softwood, finished with the same veneer as the door leaf.

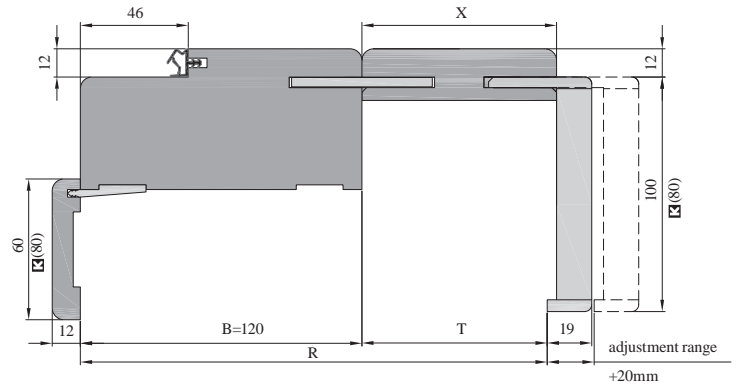
R Profile width [mm]	Door frame type	B EI60 beam [mm]
120	120	120



• **K** Adjustable door frame 176 – 404 mm (with PS tunnel).

R Adjustment range [mm]	Type	Dimension „X“ [mm]	Dimensionr „B“ [mm]	Additional part 4 [mm]
176-196	K A176	60	120	4
199-214	K A	83	120	4
219-239	K B	103	120	4
244-264	K C	128	120	4
264-284	K D	148	120	4
284-304	K E	168	120	4
304-324	K F	188	120	4
324-344	K G	208	120	4
344-364	K H	228	120	4
364-384	K I	248	120	4
384-404	K J	268	120	4
404-424	K K	288	120	4

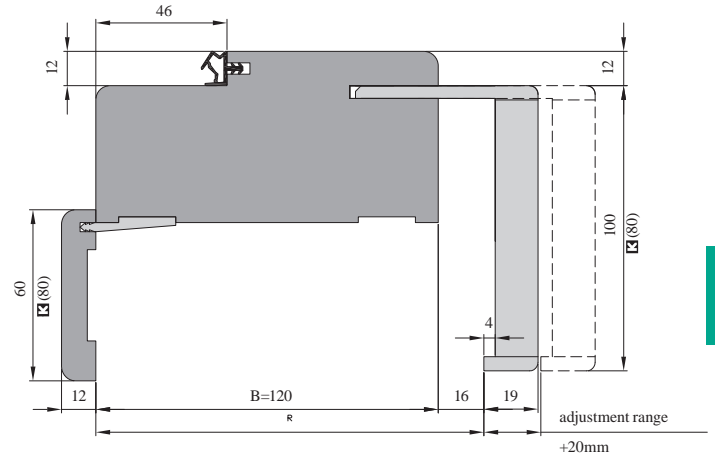
NOTE: **K** – Contract



• **K** Adjustable door frame 136 – 156 mm (with an extended adjustable architrave).

R Adjustment range [mm]	Door frame type	R = (B+T) [mm]
136-156	A136	120

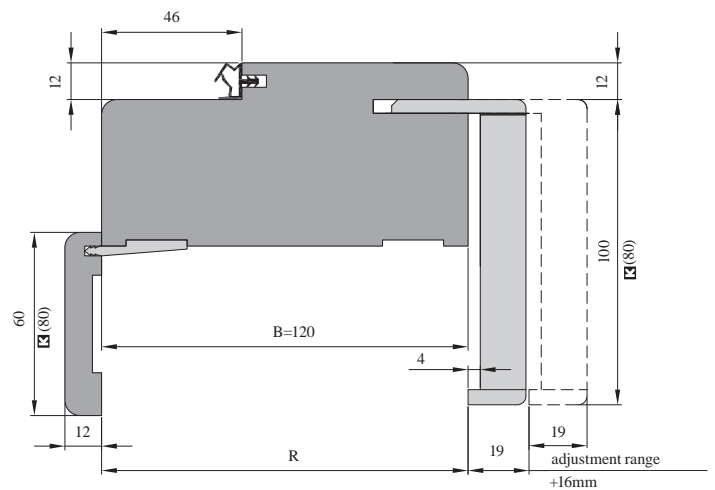
NOTE: **K** – Contract



• **K** Adjustable door frame 120-136mm

R Adjustment range [mm]	Door frame type	Dimension B [mm]
120-136	K A120-136	120

NOTE: **K** – Contract



K There is a possibility to have accessories that are not featured above (e.g. electric door magnet, electric door stop, automatic shootbolt, p. 107/108), after consulting with Contract Department.



Steel EI60

Technical Assessment AT-15-7236/2016 • Certificate of Conformity ITB-2285/W • Hygienic Certificate 85/322/86/2019

Fire resistance norm PN-EN 13501-2+A1:2010

Smoke control (TYPE I) norm PN-EN 13501-2+A1:2010

Acoustic rating norm PN-B-02151-3:1999 / PN-87/B-02151/03 (doors with a threshold)

Strength performance class norm PN-EN 1192:2001



> INDICATIONS FOR USE

Indications for use os steel solid DS/P-PP60 and glazed DS/O-PP60 doors:as a barrier in walls, which are fire partitions in residential buildings, public buildings and industrial buildings. These doors can be used as internal doors to be installed in concrete walls, reinforced concrete walls and plasterboard walls with fire resistance class at least EI 60.

DOOR MARK: DS/P-PP60 – fire-resistant solid steel doors,

DS/O-PP60 – fire-resistant glazed steel doors

> CONSTRUCTION

A. FINISH

Polyester premium paint.

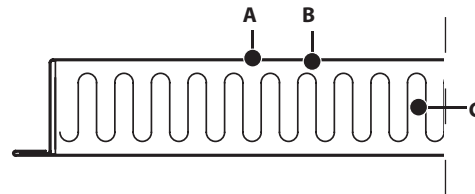
Colours from standard and non-standard collections.

B. SKIN

Galvanized steel sheet 0,8 mm thick.

C. CORE

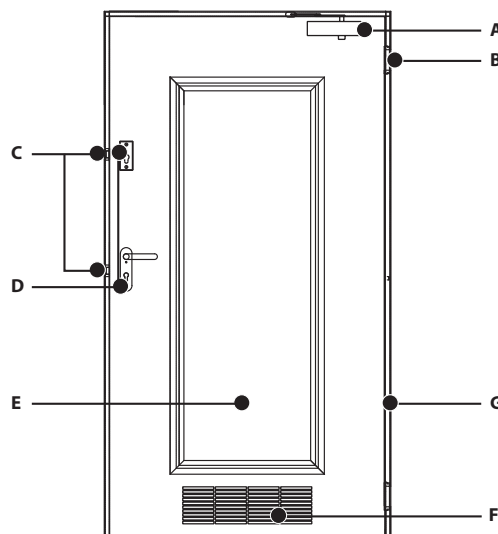
Fireproof mineral wool.



DIMENSION RANGES WITHIN TECHNICAL ASSESSMENT

	DOOR TYPE	DOOR LEAF WIDTH S_s	DOOR LEAF HEIGHT H_s
Single leaf	solid or glazed rebated doors	558-1116 mm	max 2200 mm

> ACCESSORIES AND HARDWARE



A. DOOR CLOSER

Doors are prepared as standard for installation of surface mounted door closers. Offered door closers:

- Geze TS200V, TS4000
- Eco Schulte TS20, TS50
- Dorma TS71, TS73V

B. HINGES

Steel springloaded hinges.

C. ELECTRIC STRIKERS

Offered electric strikes:

- fail secure: Eff Eff 142, 143 on the main lock
- fail-safe: Eff Eff 342U, 343 to work with the additional latch lock.

Power supply as recommended by the producer.

D. LOCKS

Main lock: cylinder lock.

Additional upper lock: cylinder lock

Additional lock: latch lock to work with fail-safe electric strike

Anti-panic lock.

Offered locks:

- single leaf doors, mortise lock GBS 92 72/65 function B

Anti-panic hardware available in two options: handle – handle, handle – panic bar.

E. GLAZING

- Glazing patterns in line with Porta's offer or according to Client's demand.
- Maximum glazing surface 0,25 m² with minimum distance 310 mm from door leaf edge taken into account.

F. VENTILATION (see accessories p. 107)

Offered fire-resistant ventilation grille – Lorient:

Intumescent core dimensions: 150 x 500 mm, metal slats powder coated in silver colour. The grille meets the requirements regarding vent area, not smaller than 220 cm².

Ventilation grille can be ordered in any RAL or NCS colour.

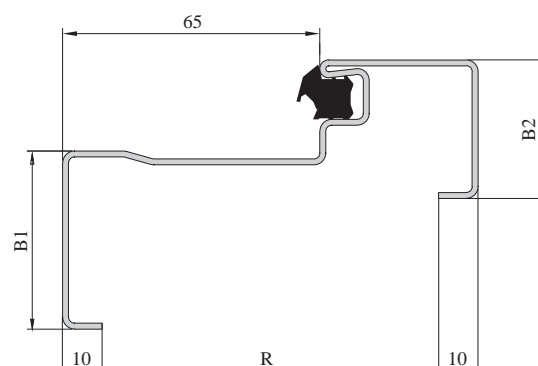
NOTE! Doors with a ventilation grille do not have smoke control parameters and acoustic rating.

G. DOOR FRAMES

Made of galvanized steel, 1,5 mm thick. Powder coated, available in colours from Porta's current offer or in any RAL or NCS colour. Available in two options: to be installed on finished floor level '0' or under floor level '-30" [mm].

Standard corner profile

R Profile width [mm]	B1 Front face height [mm] – standard 45	B2 Back face height [mm] – standard 35
120-480	30-55	30-75



- There is a possibility to have accessories that are not featured above (e.g. electric door magnets, electric door stops p. 107/108), after consulting with Contract Department.

Anti-burglary Doors



GRANITE – anti-burglary doors class C

Apartment entrance doors / p. 44



GRANITE – anti-burglary doors class RC3

Apartment entrance doors / p. 47



EXTREME – anti-burglary doors class RC3

Apartment entrance doors / p. 51



**PORTA STEEL
PRODUCT**

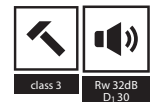
Steel SAFE

Apartment entrance doors / p. 55



AGATE

Apartment entrance doors / p. 57



OPAL

Apartment entrance doors / p. 60



National Technical Assessment No ITB-KOT-2017/0242 issue 1 • National Certification of Constancy of Performance No. 020-UWB-2618/W
• Hygienic Certificate 87/322/88/2018

Burglar resistance class C in accordance with PN-90/B-92270 and class RC3 Back face height PN-EN 1627:2012

Strength performance class 4 in accordance with PN-EN 1192:2001

Fire resistance EI₂30 in accordance with PN-EN 13501-2+A1:2010 (only Granite type II)
EI₁30 – surface mounted door closer, EI₂30 – concealed door closer

Smoke control: S_a, S₂₀₀ in accordance with PN-EN 13501-2+A1:2010

Acoustic rating Rw 32dB in accordance with PN-87/B-02151/03
and D₁30, D₂30 in accordance with PN-B-02151-3:2015



> INDICATIONS FOR USE

Indications for use of DT-PW/II doors (minimum size of clear opening width 900 x 2000 mm): as apartment entrance doors between stairwell and apartments. Thanks to endurance properties these doors can be used in conditions corresponding to 4yh strength performance class in accordance with PN-EN 1192:2001, i.e. severe duty.


DOOR MARK: DT-PW/II TYP I – single leaf solid doors Granite type I

DT-PW/II TYP II – single leaf solid doors Granite type II

> CONSTRUCTION

A. FINISH

Veneer: CPL, HPL, PCV, natural standard, natural select.

Colours and patterns from standard and  non standard collections.

B. SKIN

Aluminium layer with HDF or with slim particle board (doors in natural veneer).

C. CORE

Chipboard reinforced with rails, stiles and steel bars.

D. RAILS AND STILES

Rails and stiles made of glued laminated softwood.

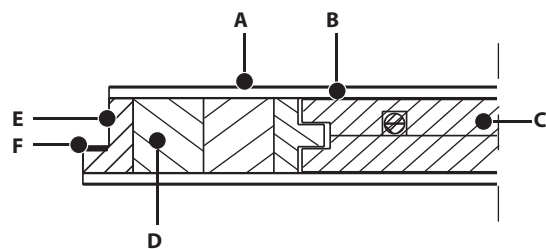
E. LIPPING

Doors finished with CPL – 1 mm thick lipping ABS on vertical edges.

For other finishes, edge tape or natural veneer in door leaf colour .

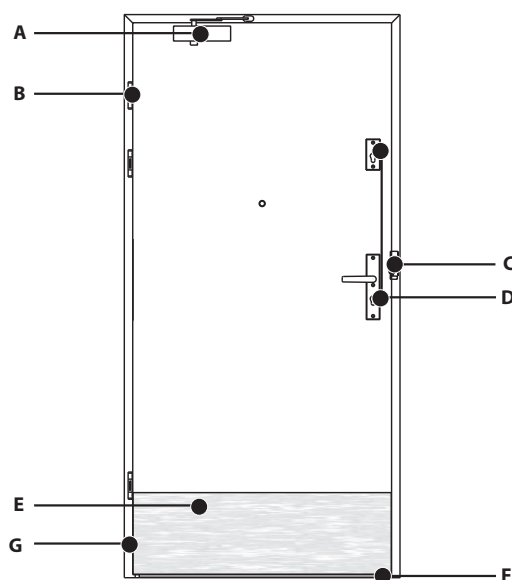
F. SEAL

Intumescent seal (Granite type II).



DIMENSION RANGES WITHIN NATIONAL TECHNICAL ASSESSMENT

	DOOR TYPE	DOOR LEAF WIDTH S _s	DOOR LEAF HEIGHT H _s
Single leaf	rebated solid door	844 – 1044 mm	max 2200 mm

> ACCESSORIES AND HARDWARE**A. DOOR CLOSER** (see accessories p. 107)

Doors are prepared as standard for installation of surface mounted door closers.

Offered door closers:

Surface mounted:**• with an arm**

- Geze TS 4000
- Eco Schulte TS 41
- Dorma TS 83

• with a slide rail

- Geze TS 5000
- Dorma TS 93
- Geze TS 3000V

☒ Concealed:

Installation requires special preparation of a door leaf and a door frame.

- Eco Schulte ITS Multi Genius
- Dorma ITS 96
- Geze Boxer 2-4

B. HINGES (see accessories p. 106)

- three-part reinforced hinges
- ☒ stainless steel heavy duty hinges VX7939/160

C. ELECTRIC STRIKE (see accessories p. 108)

Offered electric strikes for steel door frame:

- fail secure: Eff Eff 142U (can work with the main lock)
- fail secure BIRA ECO SHD12U on the main lock
- fail secure Eff Eff 118.F on the main lock

Power supply as recommended by the producer.

D. LOCKS (see accessories p. 109)

- **Multipoint lock** with two cylinders.

E. ☒ STAINLESS STEEL PANEL (see accessories p. 107)

Door leaves can be equipped with stainless steel panels, 0,6 mm thick.

Offered panels:

- 'kick-panel' 300 mm high
- 'push-panel' placed at handle level, 300 mm high

F. BOTTOM SEALING

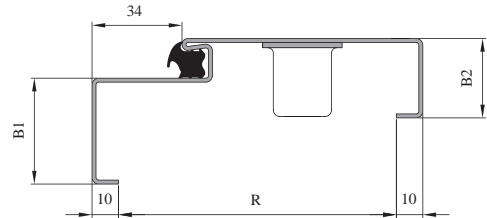
- stainless steel threshold (in a set with the door frame)
- wooden threshold
- automatic threshold seal

G. DOOR FRAMES

STEEL DOOR FRAME

Made of galvanized steel 1,5 mm thick. Powder coated, available in colours from Porta's current offer or in any RAL or NCS colour. It is reinforced for a door closer. Available in two options: to be installed on a finished floor level '0' or under floor level '-30" [mm].

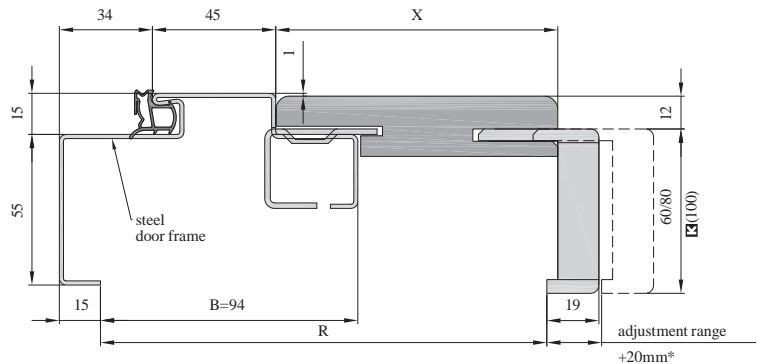
R Profile width [mm] – standard 100	B1 Front face height [mm] – standard 40	B2 Back face height [mm] – standard 30
80-480	<input checked="" type="checkbox"/> 30-55	<input checked="" type="checkbox"/> 30-75



PROJECT BIS DOOR FRAME

Steel door frame with the Project Bis cover finished with the same veneer as the door leaf.

R Adjustment range [mm]	Door frame type	X GRANITE cover [mm]
143-158	A*	83
163-183	B	103
188-208	C	128
208-228	D	148
228-248	E	168
248-268	F	188
268-288	G	208
288-308	H	228
308-328	I	248
328-348	J	268
348-368	K	288
368-388	<input checked="" type="checkbox"/> L	208
388-408	<input checked="" type="checkbox"/> M	228
408-428	<input checked="" type="checkbox"/> N	248

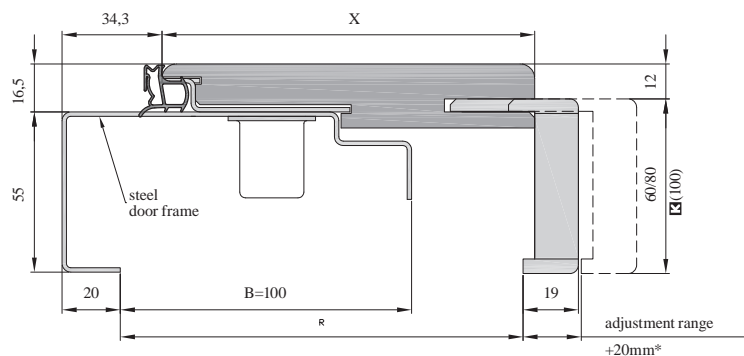


NOTE: *for range A adjustment +15 mm

– Contract

PROJECT PREMIUM DOOR FRAME

R Adjustment range [mm]	Door frame type	X OPAL cover [mm]
138-158	B	128
158-178	C	148
178-198	D	168
198-218	E	188
218-238	F	208
238-258	G	228
258-278	H	248
278-298	I	268
298-318	J	288
318-338	K	308



There is a possibility to have accessories that are not featured above (e.g. electric door magnets, electric door stops p. 107/108), after consulting with Contract Department.

National Technical Assessment No ITB-KOT-2017/0007 issue 1• National Certification of Constancy of Performance No 020-UWB-0567/W • Hygienic Certificate 86/322/87/2018

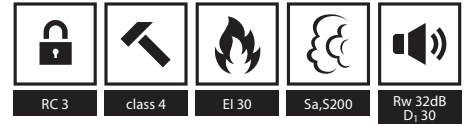
Burglar resistance Class RC3 in accordance with PN-EN 1627:2012

Strength performance class 4 in accordance with PN-EN 1192:2001

Fire resistance EI₂ 30 in accordance with PN-EN 13501-2+A1:2010 – (EI2 30 with an intumescent seal)

Smoke control S_p, S₂₀₀ in accordance with PN-EN 13501-2+A1:2016

Acoustic rating D1-35 D2-35 in accordance with PN-B-02151-3:2015 | PN-87/B-02151/0,3, RW-32dB



> INDICATIONS FOR USE


Indications for use of DT-PW doors (minimum size of clear opening width 900 x 2000 mm): as apartment entrance doors between stairwell and apartments. Thanks to endurance properties these doors can be used in conditions corresponding to 4yh strength performance class in accordance with PN-EN 1192:2001, i.e. severe duty.

DOOR MARKS: DT-A37/M-RC3 (steel door frame) and DT-A37/PS-RC3 (PS door frame)

> CONSTRUCTION

A. FINISH

Veneer: CPL, HPL, PCV, natural standard, natural select.

Colours and patterns from standard and  non-standard collections.

B. SKIN

HDF or slim particle board (doors in natural veneer).

C. SKIN

Aluminium sheet 0,3 mm thick.

D. CORE

Soundproof and fireproof infill.

E. RAILS AND STILES

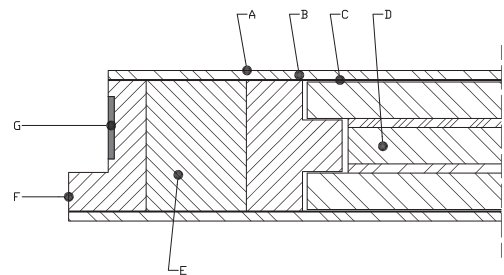
Rails and stiles made of laminated glued softwood.

F. LIPPING

Doors finished with CPL – 1 mm thick lipping ABS on vertical edges. For other finishes – edge tape or natural veneer in line with the door leaf colour.

G. SEALING

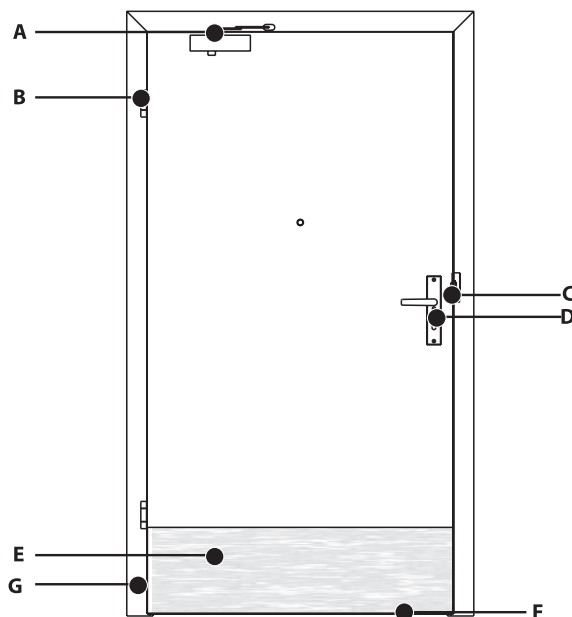
Intumescent seal.



DIMENSION RANGES WITHIN NATIONAL TECHNICAL ASSESSMENT

	DOOR TYPE	DOOR LEAF WIDTH S _s	DOOR LEAF HEIGHT H _s
Single leaf	rebated solid doors	max. width acc. to KOT: 1044 mm	max. height acc. to KOT: 2200 mm.

> ACCESSORIES AND HARDWARE



A. DOOR CLOSER (see accessories p. 107)

Doors are prepared as standard for installation of surface mounted door closers.

Offered door closers:

Surface mounted:

• with an arm

- Geze TS 4000
- Eco Schulte TS 41
- Dorma TS 83

• with a slide rail

- Geze TS 5000
- Dorma TS 93
- Geze TS 3000V

Concealed:

Installation requires special preparation of a door leaf and a door frame.

- Eco Schulte ITS Multi Genius
- Dorma ITS 96
- Geze Boxer 2-4

B. HINGES (see accessories p. 106)

- Stainless steel heavy duty hinges VX7939/160.
- Three-part reinforced hinges.

C. ELECTRIC STRIKE (see accessories p. 108)

Electric strikes offered for steel door frames:

- fail secure: Eff Eff 142U (can work with the main lock)
- Power supply as recommended by the producer.
- fail secure BIRA ECO SHD12U on the main lock
 - fail secure Eff Eff 118.F on the main lock

D. LOCKS (see accessories p. 109)

- **multipoint lock with hooks.**



E. STAINLESS STEEL PANEL (see accessories p. 107)

Door leaves can be equipped with stainless steel panels, 0,6 mm thick.

Offered panels:

- 'kick-panel' 300 mm high
- 'push-panel' placed at handle level, 300 mm high

F. BOTTOM SEALING

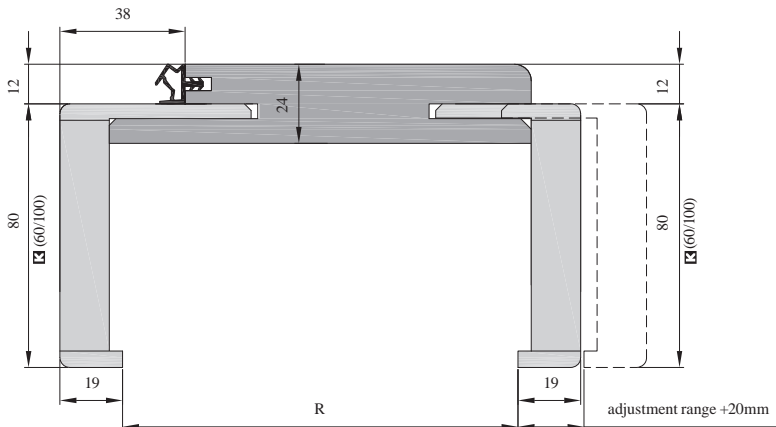
- stainless steel threshold (in a set with the door frame)
-  wooden threshold
-  automatic threshold seal


G. DOOR FRAMES

REINFORCED ADJUSTABLE PORTA SYSTEM DOOR FRAME

Beams are made from plywood. Door frame is finished with the same veneer as the door leaf. It is reinforced for a door closer and equipped with mounting anchors.

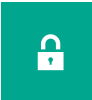
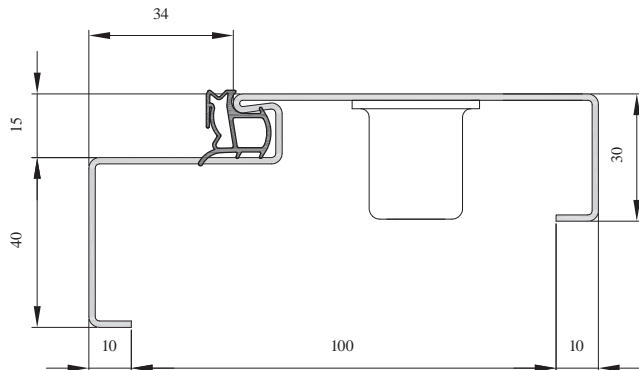
Adjustment range R [mm]	Door frame type
120-140	C
140-160	D
160-180	E </td
180-200	F
200-220	G
220-240	H
240-260	I
260-280	J
280-300	K



 There is a possibility to have accessories that are not featured above (e.g. electric door magnets, electric door stops p. 107/108), after consulting with Contract Department.

STEEL DOOR FRAME

R Profile width [mm] - standard 100	B1 Front face height - B1 [mm] - standard 40	B2 Back face height - B2 [mm] - standard 30
80-480	30-55	30-75

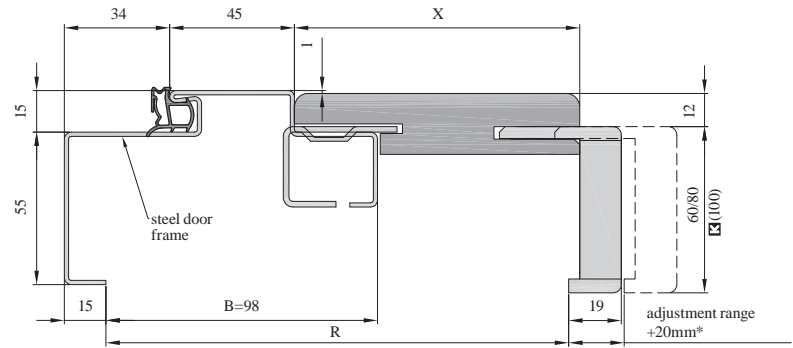


PROJECT BIS DOOR FRAME

R Adjustment range [mm]	Door frame type	X GRANITE cover [mm]
147-162	A*	83
167-187	B	103
192-212	C	128
212-232	D	148
232-252	E	168
252-272	F	188
272-292	G	208
292-312	H	228
312-332	I	248
332-352	J	268
352-372	K	288
372-392	K L	308
392-412	K M	328
412-432	K N	348

NOTE: *for range A adjustment +15 mm

K – contract

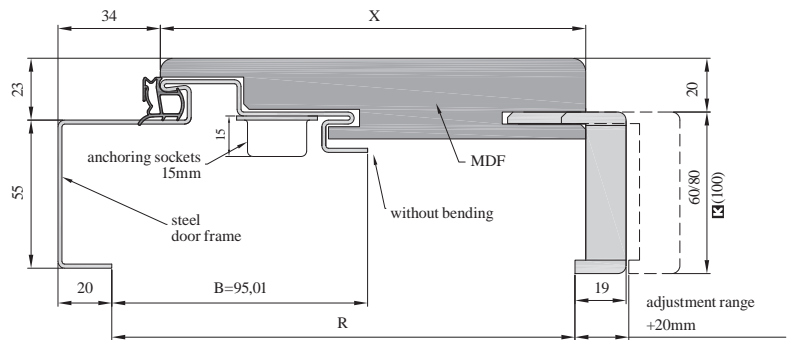


MODIFIED PROJECT DOOR FRAME

R Adjustment range [mm] rebated	Door frame type	X 37 dB cover [mm]
147-167	B	133
172-192	C	158
192-212	D	178
212-232	E	198
232-252	F	218
252-272	G	238
272-292	H	258
292-312	I	278
312-332	J	298
332-352	K	318

NOTE! Steel door frame id modified – contract

K – contract



National Technical Assessment No ITB-KOT-2017/0007 issue 1• National Certification of Constancy of Performance No 020-UWB-0567/W • Hygienic Certificate 86/322/87/2018

Burglary resistance Class RC3 in accordance with PN-EN 1627:2012

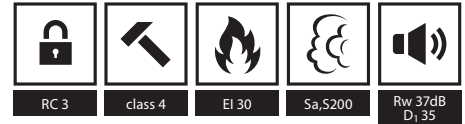
Strength performance class 4 in accordance with PN-EN 1192:2001

Fire resistance EI₂ 30 in accordance with PN-EN 13501-2+A1:2010 – (EI₂ 30 with an intumescent seal)

Smoke control S_a, S₂₀₀ in accordance with PN-EN 13501-2+A1:2016

Acoustic rating Rw 37 dB in accordance with PN-B-02151-

3:2015 | PN-87/B-02151/03 | Acoustic D1=35, D2=35.



> INDICATIONS FOR USE


Indications for use of DT-PW wooden doors (minimum size of clear opening width 900 x 2000 mm): as apartment entrance doors between stairwell and apartments. Thanks to endurance properties these doors can be used in conditions corresponding to 4th strength performance class in accordance with PN-EN 1192:2001, i.e. severe duty.

DOOR MARKS: DT-A37/M-RC3 (steel door frame) and DT-A37/PS-RC3 (PS door frame)

> CONSTRUCTION

A. FINISH

Veneer: CPL, HPL, PCV, natural standard, natural select.

Colours and patterns from standard and  non-standard collections.

B. SKIN

HDF or slim particle board (door leaves in natural veneer).

C. SKIN

Aluminium sheet 0,3 mm thick.

D. CORE

Soundproof and fireproof infill.

E. RAILS AND STILES

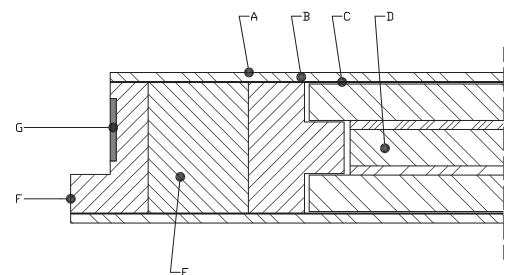
Rails and stiles made of laminated glued softwood.

F. LIPPING

Doors finished with CPL – 1 mm thick lipping ABS on vertical edges. For other finishes – edge tape or natural veneer in door leaf colour.

G. SEAL

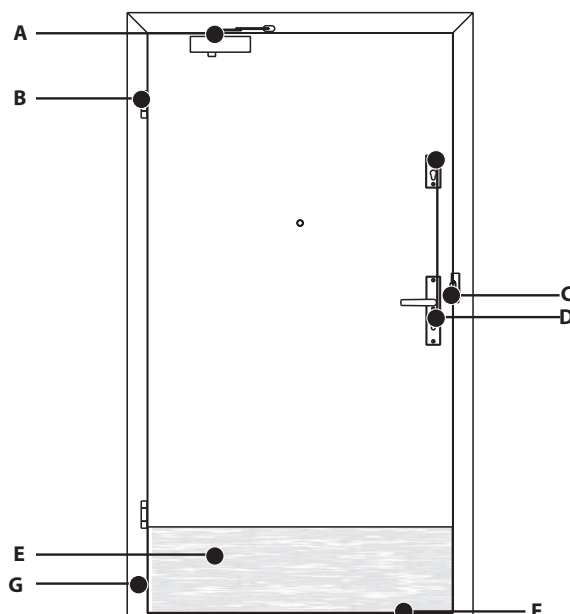
Intumescent seal.



DIMENSION RANGES WITHIN NATIONAL TECHNICAL ASSESSMENT

	DOOR TYPE	DOOR LEAF WIDTH S ₃	DOOR LEAF HEIGHT H ₃
Single leaf	rebated solid door	max. width acc.to Technical Assessment: 1044 mm	max. height acc. to Technical Assessment: 2200 mm.

> ACCESSORIES AND HARDWARE



A. DOOR CLOSER (see accessories p. 107)

Doors are prepared as standard for installation of surface mounted door closers.

Offered door closers:

Surface mounted:

• with an arm

- Geze TS 4000
- Eco Schulte TS 41
- Dorma TS 83

• with a slide rail

- Geze TS 5000
- Dorma TS 93
- Geze TS 3000V

Concealed:

Installation requires special preparation of a door closer and a door frame..

- Eco Schulte ITS Multi Genius
- Dorma ITS 96
- Geze Boxer 2-4

B. HINGES (see accessories p. 106)

- Stainless steel heavy duty hinges VX7939/160.
- Three-part reinforced hinges.

C. ELECTRIC STRIKE (see accessories p. 108)

Electric strikes offered for steel door frames:

- fail secure: Eff Eff 142U (can work with the main lock)

Power supply as recommended by the producer.

- fail secure BIRA ECO SHD12U on a main lock
- fail secure Eff Eff 118.F on a main lock

D. LOCKS (see accessories p. 109)

- **multipoint lock with hooks.**



E. STAINLESS STEEL PANEL (see accessories p. 107)

Door leaves can e equipped with stainless steel panels 0,6 mm thick.

Offered panels:

- 'kick-panel' 300 mm high
- 'push-panel' placed at handle level, 300 mm high

F. BOTTOM SEALING

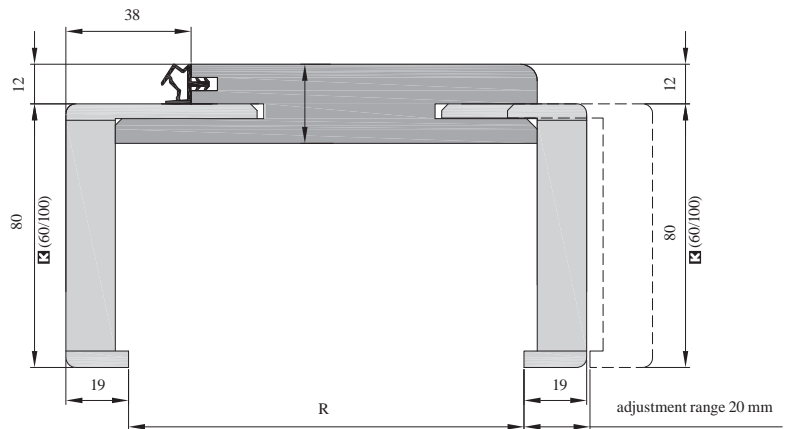
- stainless steel threshold (in a set with a door frame)
-  wooden thresholds
-  automatic threshold seal


G. DOOR FRAMES

REINFORCED ADJUSTABLE PORTA SYSTEM DOOR FRAME

Beams are made from plywood. Door frame is finished with the same veneer as the door leaf. It is reinforced for a door closer and equipped with mounting anchors.

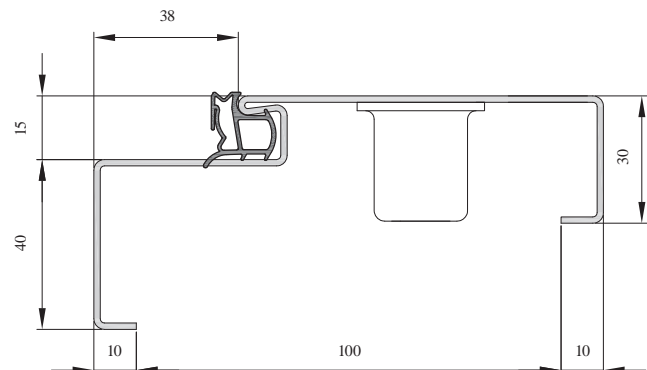
Adjustment range muru R [mm]	Door frame type
120-140	C
140-160	D
160-180	E
180-200	F
200-220	G
220-240	H
240-260	I
260-280	J
280-300	K



 There is a possibility to have accessories that are not featured above (electric door magnets, electric door stops p. 107/108) after consulting with Contract Department.

STEEL DOOR FRAME

R Profile width [mm] – standard 100	B1 Front face height – B1 [mm] – standard 40	B2 Back face height – B2 [mm] – standard 30
80-480	30-55	30-75

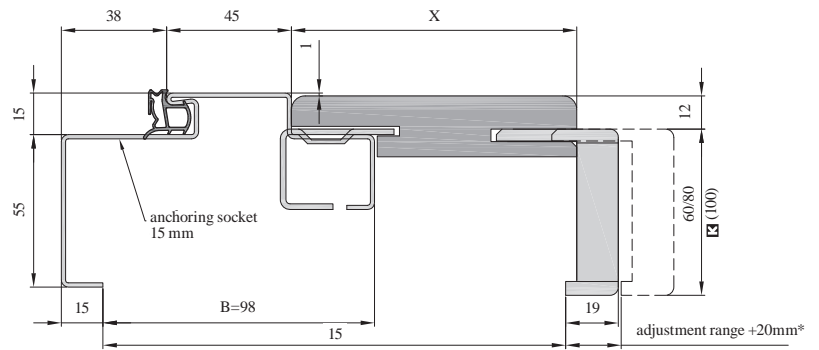


PROJECT BIS DOOR FRAME

R Adjustment range [mm]	Door frame type	X GRANITE cover [mm]
147-162	A*	83
167-187	B	103
192-212	C	128
212-232	D	148
232-252	E	168
252-272	F	188
272-292	G	208
292-312	H	228
312-332	I	248
332-352	J	268
352-372	K	288
372-392	K L	308
392-412	K M	328
412-432	K N	348

NOTE: *for range A adjustment +15 mm

K – contract

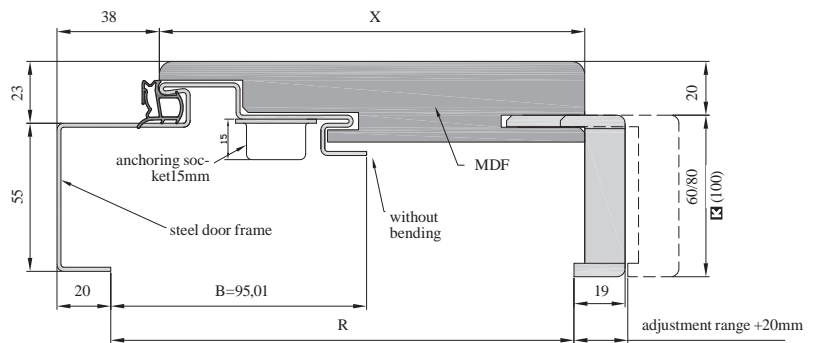


MODIFIED PROJECT DOOR FRAME

R Adjustment range [mm] rebated	Door frame type	X 37 dB cover [mm]
147-167	B	133
172-192	C	158
192-212	D	178
212-232	E	198
232-252	F	218
252-272	G	238
272-292	H	258
292-312	I	278
312-332	J	298
332-352	K	318

NOTE! Modified steel door frame – contract

K – contract





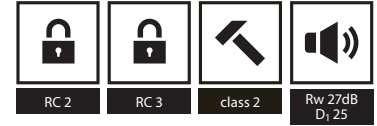
National Technical Assessment ITB-KOT-2017/0008 issue 1

Burglary resistance class RC 2 or RC 3* in accordance with PN-EN 1627:2012

*RC2 – two locks LOB and cylinder class B, RC3 – multipoint lock Winkhaus STV and cylinder class B

Strength performance class 2 in accordance with PN-EN 1192:2001

Acoustic rating D1-25 D2-20 | Rw 27 dB in accordance with PN-B-02151-3:2015 | PN-87/B-02151/03 (doors with mineral wool infill)



> INDICATIONS FOR USE

Indications for use of DZ-S doors: as internal doors and apartment entrance doors in residential buildings and public buildings.

DOOR MARKS:

DZ-S – single leaf solid steel doors Steel Safe Type II

DZ-S-S-RC3 – single leaf solid steel doors Steel Safe Type III

> CONSTRUCTION

A. FINISH

Galvanized steel sheet 0,6mm thick, finished with PVC or polyester premium paint.
Colours and patterns from standard and non-standard collections.

B. CORE

Graphite expanded polystyrene or mineral wool.

C. RAILS AND STILES

Rails and stiles made of glued laminated softwood.

D. REBATE SEAL

DIMENSION RANGES WITHIN NATIONAL TECHNICAL ASSESSMENT

	DOOR LEAF WIDTH S_s	DOOR LEAF HEIGHT H_s
Single leaf	max 1068 mm	max 2119 mm

> ACCESSORIES AND HARDWARE

A. DOOR CLOSER (see accessories p. 107)

Doors are prepared as standard for installation of a surface mounted door closer.

B. HINGES (see accessories p. 106)

- three-part reinforced hinges

C. ELECTRIC STRIKE (see accessories p. 108)

Electric strikes offered for steel door frames:

- fail secure: Eff Eff 118.13 (can work with the main lock). Power supply as recommended by the producer.

D. LOCKS (see accessories p. 109)

- cylinder lock with security pins and additional upper cylinder lock
- multipoint lock with one cylinder
- multipoint lock with two cylinders
- multipoint lock with one cylinder and a doorguard

E. STAINLESS STEEL PANEL (see accessories p. 107)

Door leaves can be equipped with stainless steel panels, 0,6 mm high.

Offered panels:

- 'kick-panel' 150 mm high

F. BOTTOM SEALING

- stainless steel threshold with perforation (in a set with the door frame)

G. DOOR FRAMES

STEEL DOOR FRAME

Corner profile steel door frame 100mm, made from both sides galvanized steel sheet 1,2 mm thick (TYPE II) or 1,5 mm (TYPE III) or laminated steel sheet

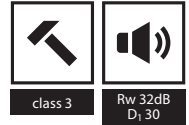
PCV in colours from Porta's current offer. It is a folding door frame

to be installed on finished floor level '0', profile size fixed. Adjustable strike plate of the main lock.



National Technical Assessment No ITB-KOT-2017/0096 issue 1 • Hygienic Certificate 110/322/113/2017

Strength Performance Class 3 in accordance with PN-EN 1192:2001
Acoustic rating R_w 32dB in accordance with PN-87/B-02151/03
 and $D_{1,30}$, $D_{2,30}$ in accordance with PN-B-02151-3:2015



> INDICATIONS FOR USE

Indications for use of DW-A wooden doors: as apartment entrance doors in residential buildings and public buildings. Thanks to endurance properties these doors can be used in conditions corresponding to 3rd strength performance class in accordance with PN-EN 1192:2001, i.e. heavy duty.

DOOR MARKS: DW-A32/M, DW-A32/D I DW-A-32/PS – rebated solid doors AGATE

> CONSTRUCTION

A. FINISH

Veneer: CPL, HPL, PCV,
 natural standard, natural select.
 Colours and patterns from standard and non-standard collections.

B. SKIN

Aluminium layer with HDF
 or with slim particle board (door leaves in natural veneer).

C. CORE

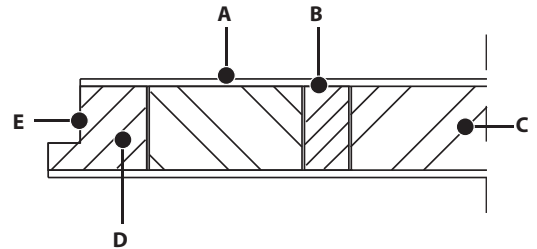
Hollow chipboard reinforced
 with rails and stiles.

D. RAILS AND STILES

Rails and stiles made of laminated glued softwood.

E. LIPPING

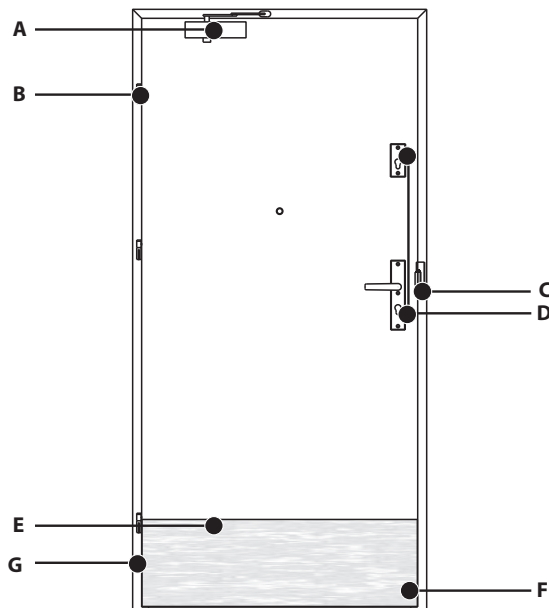
Doors finished with CPL – 1 mm thick lipping ABS on vertical edges.
 For other finishes edge tape in door leaf colour.



DIMENSION RANGES WITHIN NATIONAL TECHNICAL ASSESSMENT

	DOOR TYPE	DOOR LEAF WIDTH S_s	DOOR LEAF HEIGHT H_s
Single leaf	rebated solid doors	844-1044 mm	2030-2200 mm

> **ACCESSORIES AND HARDWARE**



A. DOOR CLOSER (see accessories p. 107)

Surface mounted:

Door closers both with arms or slide rails have to be chosen accordingly to the weight and size of a door leaf. Installation of a door closer requires reinforcing a door leaf and a door frame.

Concealed:

Installation requires to thicken the door leaf and to change door frame rebate.

Offered door closers:

- Eco Schulte ITS Multi Genius
- Dorma ITS 96
- Geze Boxer 2-4

B. HINGES (see accessories p. 106)

- two-part barrel hinges
- reinforced three-part hinges
- with rising pin

C. ELECTRIC STRIKE (see accessories p. 108)

It is possible to install numerous electric strikes indicated by the client.

Offered electric strikes:

- fail secure Openers&Closers 30.1.00.B
- fail-safe Openers&Closers 34.1.00.E

Power supply as recommended by the producer.

D. LOCKS (see accessories p. 109)

Two locks: cylinder locks (main, additional upper lock).

Anti-panic lock.

Offered locks:

- single leaf doors, mortise lock GBS 92 72/65 function B

Anti-panic hardware is available in two options: handle – handle, handle – panic bar.

Hotel lock.

There is a possibility to prepare door leaves and door frames for numerous electronic locks which have relevant certificates and are included in Technical Assessment.

E. STAINLESS STEEL PANELS (see accessories p. 107)


Door leaves can be equipped with a stainless steel panels, 0,6 mm thick.



Offered panels:

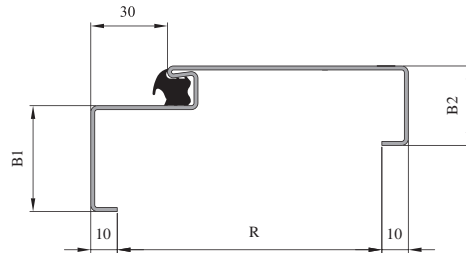
- 'Kick-panel' 300 mm high
- 'Push-panel' placed at handle level, 300 mm high

F.DOOR FRAMES

STEEL DOOR FRAME




Made of galvanized steel 1,2 mm thick. Powder coated, available in colours from Porta's current offer or  in any RAL or NCS colour. Available in two options: to be installed on finished floor level '0 or under floor level '-30' [mm]. Optionally: reinforcement for a door closer, dowel pins.

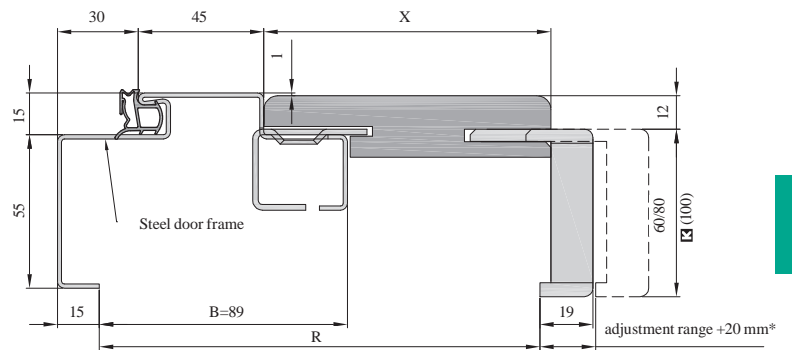
R Profile width [mm] - standard 100	B1 Front face height [mm] - standard 40	B2 Back face height [mm] - standard 30
80-480	 30-55	 30-75



PROJECT BIS DOOR FRAME

Steel door frame with PROJECT cover finished with the same veneer as the door leaf.

Adjustment range R [mm]	Door frame type	X QUARTZ cover [mm]
138-153	A*	83
158-178	B	103
183-203	C	128
203-223	D	148
223-243	E	168
243-263	F	188
263-283	G	208
283-303	H	228
303-323	I	248
323-343	J	268
343-363	K	288
363-383	 L	308
383-403	 M	328
403-423	 N	348

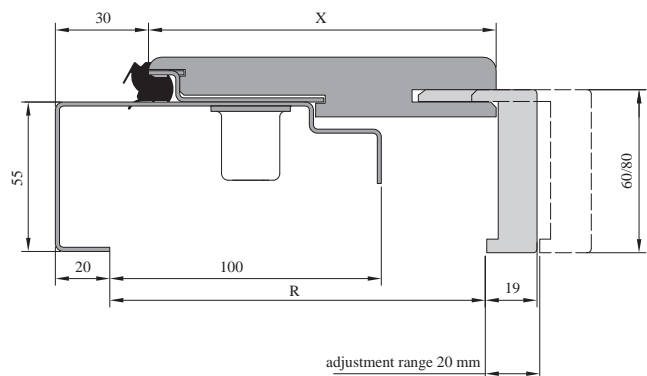


*for range A adjustment +15 mm

 -contract

PROJECT PREMIUM DOOR FRAME

R Adjustment range [mm]	Door frame type	X Dimension [mm] AGATE cover
133-153	B	128
153-173	C	148
173-193	D	168
193-213	E	188
213-233	F	208
233-253	G	228
253-273	H	248
273-293	I	268
293-313	J	288
313-333	K	308



NOTE! Steel profile remains standard.

 There is a possibility to have accessories not featured above (e.g. electric door magnets, electric door stops, p. 107/108), after advise with Contract Department.

National Technical Assessment No ITB-KOT-2017/0096 issue. 1 • Hygienic Certificate 110/322/1132/2017

Burglary resistance 2 class in accordance with PN-EN 1627:2012

Strength performance class 3 in accordance with PN-EN 1192:2001

Acoustic rating R_w 32dB in accordance with PN-87/B-02151/03 and $D_{1,30}$, $D_{2,30}$ in accordance with PN-B-02151-3:2015



> INDICATIONS FOR USE

Indications for use of DW-A wooden doors: as apartment entrance doors in residential buildings and public buildings. Thanks to endurance properties these doors can be used in conditions corresponding to 3rd strength performance class in accordance with PN-EN 1192:2001, i.e. heavy duty..

DOOR MARKS: DW-A32-K2/M I DW-A32-K2/D – single leaf solid doors OPAL

> CONSTRUCTION

A. FINISH

Veneer: CPL, HPL, PCV, natural standard, natural select.

Colours and patterns from standard and non-standard collections.

B. SKIN

Aluminium layer with HDF

or slim particle board (door leaves in natural veneer).

C. CORE

Hollow chipboard reinforced with rails and stiles.

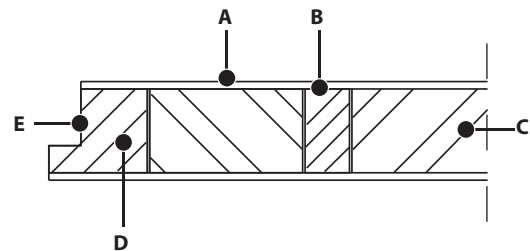
D. RAILS AND STILES

Rails and stiles made of glued laminated softwood.

E. LIPPING

Doors finished with CPL – 1 mm thick lipping ABS on vertical edges.

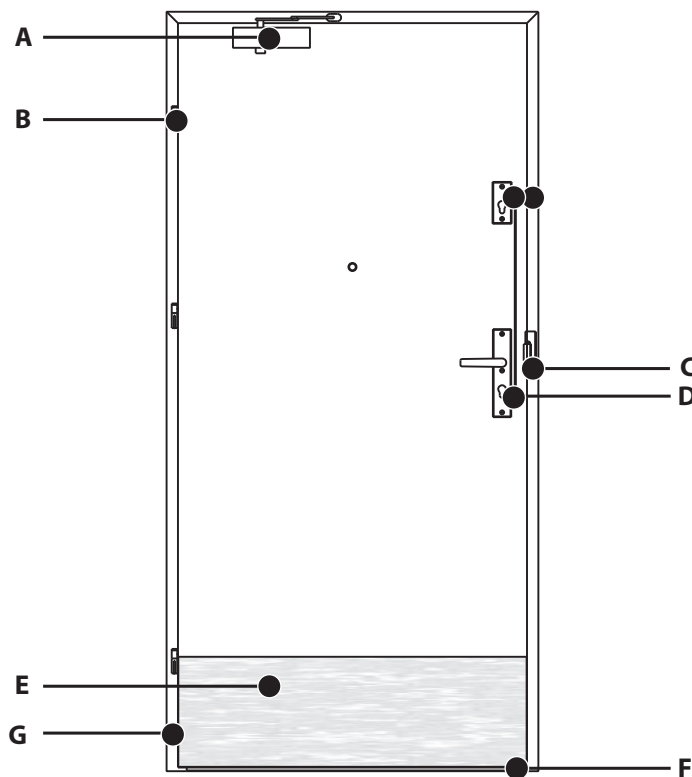
For other finishes edge tape in door leaf colour.



DIMENSION RANGES WITHIN NATIONAL TECHNICAL ASSESSMENT

	DOOR TYPE	DOOR LEAF WIDTH S_s	DOOR LEAF HEIGHT H_s
Single leaf	rebated solid doors	844-1044 mm	2030-2200 mm

> ACCESSORIES AND HARDWARE

**A. DOOR CLOSER** (see accessories p. 107)**Surface mounted:**

Door closers both with arms or slide rails have to be chosen accordingly to the weight and size of a door leaf. Installation of a door closer requires reinforcing door leaf and door frame.

B. HINGES (see accessories p. 106)

- two-part barrel hinges
- three-part reinforced hinges
- with rising pin

C. ELECTRIC STRIKE (see accessories p. 108)

It is possible to install numerous electric strikes indicated by the client.

Offered electric strikes:

- fail secure Openers&Closers 30.1.00.B
- fail-safe Openers&Closers 34.1.00.E

Power supply as recommended by the producer.

D. LOCKS (see accessories p. 109)

Four point lock for two cylinders.

E. STAINLESS STEEL PANELS (see accessories p. 107)

Doors can be equipped with stainless steel panels, 0,6 mm thick.

Offered panels:

- 'Kick-panel' 300 mm high
- 'Push-panel' placed at handle level, 300 mm high

F. BOTTOM SEALING

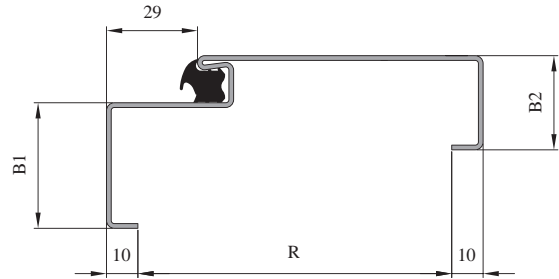
- stainless steel threshold (in a set with a door frame)
- **K** wooden threshold
- **K** automatic threshold seal

G. DOOR FRAMES

STEEL DOOR FRAME

Made of galvanized steel 1,5 mm thick. Powder coated in colours from Porta's current offer or **K** in any RAL or NCS colour. Available in two options: to be installed on finished floor level '0' or '-30' [mm]. Optionally: reinforcement for door closer and dowel pins.

R Adjustment range [mm] - standard 100	B1 Front face height [mm] - standard 40	B2 Back face height [mm] - standard 30
80-480	K 30-55	K 30-75



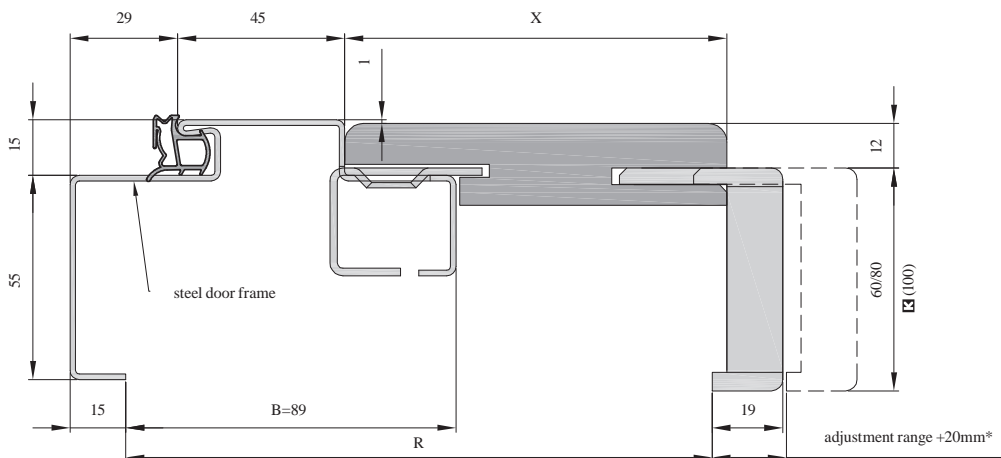
PROJECT BIS DOOR FRAME

Steel door frame with PROJECT BIS cover, finished with the same veneer as the door leaf.

Adjustment range R [mm]	Door frame type	X QUARTZ cover [mm]
138-153	A*	83
158-178	B	103
183-203	C	128
203-223	D	148
223-243	E	168
243-263	F	188
263-283	G	208
283-303	H	228
303-323	I	248
323-343	J	268
343-363	K	288
363-383	K L	308
383-403	K M	328
403-423	K N	348

* dor range A adjustment +15 mm

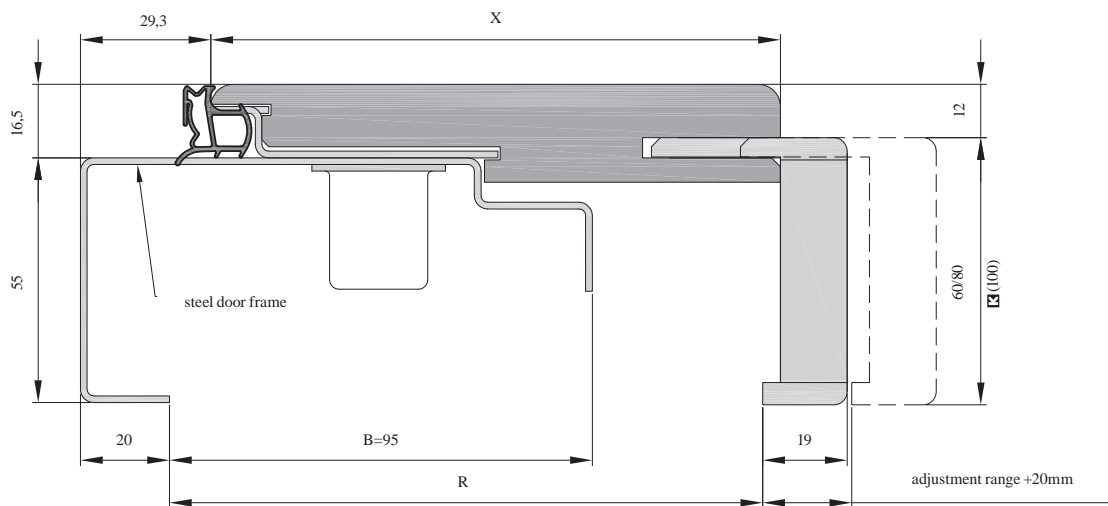
K - contract



PROJECT PREMIUM DOOR FRAME

R Adjustment range [mm]	Door frame type	X OPAL cover [mm]
133-153	B	128
153-173	C	148
173-193	D	168
193-213	E	188
213-233	F	208
233-253	G	228
253-273	H	248
273-293	I	268
293-313	J	288
313-333	K	308

NOTE:
Door leaf (contract), enlarged dimensions, Ss (+20 mm), Hs (+10 mm).



There is a possibility to have accessories that are not featured above (electric door magnets, electric door stops p. 107/108) after consulting with Contract Department.

The background is a solid teal color. It features several abstract geometric shapes: a rounded teal rectangle on the left, a large teal trapezoid on the right, and a teal triangle on the far right edge. The text 'Acoustic Doors' is positioned on the left side, overlapping the rounded rectangle.

Acoustic Doors

27dB

Technical doors / p. 66



32dB

Technical doors / p. 70



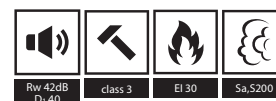
SILENCE 37dB

Technical doors / p. 74



42dB

Technical doors / p. 80



Other doors with acoustic rating:

QUARTZ / p. 24

EI30 / p. 27

EI60 / p. 35

GRANITE – anti-burglary doors class C / p. 44

GRANITE – anti-burglary doors class RC3 / p. 47

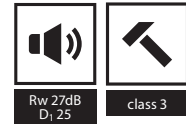
AGATE / p. 57

OPAL / p. 60



National Technical Assessment No ITB-KOT-2017/0096 issue 1 • Hygienic Certificate 88/322/89/2018

Acoustic rating Rw 27dB in accordance with PN-87/B-02151/03 and D_{1,25}, D_{2,25} in accordance with PN-B-02151-3:2015
Strength performance class 3 in accordance with PN-EN 1192:2001



> INDICATIONS FOR USE

Indications for use of DT-A27 doors: DT-A27/M option – as apartment entrance doors in residential buildings and public buildings. They can be used in conditions corresponding to 3rd strength performance class in accordance with PN-EN 1192:2001. Options DT-A27/PS and DT-A27/D: as internal doors in residential buildings and public buildings. They can be used in conditions corresponding to 3rd strength performance class in accordance with PN-EN 1192:2001. In order to provide soundproofness to certain rooms, doors with acoustic rating D1-25, D2-25 or Rw 27 dB, can be used in accordance with requirements included in PN-B-02151-3:1999 or PN-87/B-02151/03 –when a building was designed in accordance with this norm.

- Door marks:** DT-A/M – single leaf solid doors with a steel door frame
 DT-A/PS – single leaf solid doors with and adjustable Porta SYSTEM door frame
 DT-A/D – single leaf solid doors with MDF 44 mm door frame

> CONSTRUCTION

A. FINISH

Veneer: CPL, HPL, PCV, natural standard, natural select.
 Colours and patterns from standard and non-standard collections.

B. SKIN

HDF or slim particle board (door leaves in natural veneer).

C. CORE

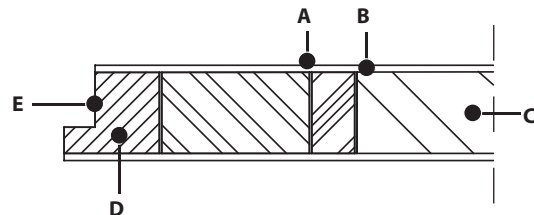
Hollow chipboard core reinforced with rails and stiles.

D. RAILS AND STILES

Rails and stiles made from glued laminated softwood.

E. LIPPING

Door leaves finished with CPL – 1 mm thick lipping ABS on vertical edges.
 For other finishes edge tape in a door leaf colour.



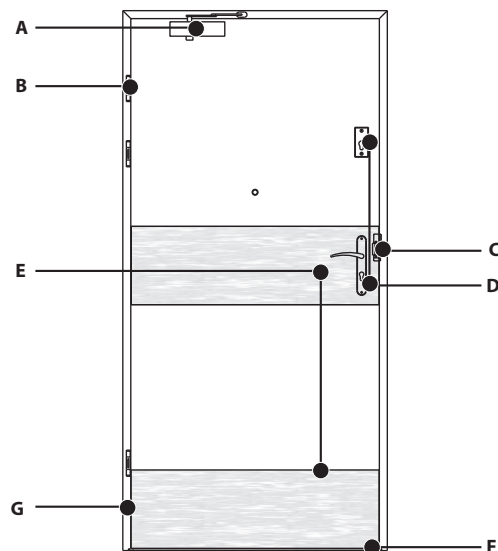
DIMENSION RANGES WITHIN NATIONAL TECHNICAL ASSESSMENT

	DOOR TYPE	DOOR LEAF WIDTH S _s	DOOR LEAF HEIGHT H _s
Single leaf*	rebated door** solid	max 1044 mm	max 2200 mm

*Double leaf doors with Porta SYSTEM or MDF door frames are available within Individual Approval Documentation (DJ) with confirmed acoustic rating. Maximum size 90+90.

**Single leaf non-rebated doors with Porta System Elegance door frame are available within Individual Approval Documentation (DJ) with confirmed acoustic rating. Maximum size – „90“.

> ACCESSORIES AND HARDWARE



A. DOOR CLOSER (see accessories p. 107)

Surface mounted:

Door closers both with an arm and a slide rail have to be chosen accordingly to the weight and size of the door leaf. Installation of a door closer requires reinforcing the door leaf and the door frame.

Concealed:

Installation requires to thicken the door leaf and to change door frame rebate.

Offered door closers:

- Eco Schulte ITS Multi Genius
- Dorma ITS 96
- Geze Boxer 2-4

B. HINGES (see accessories p. 106)

- two-part barrel hinges, Porta SYSTEM and MDF door frames
- three-part reinforced hinges for steel door frames, for Porta SYSTEM and MDF door frames
- with rising pin

C. ELECTRIC STRIKE (see accessories p. 108)

There is a possibility to install numerous electric strikes indicated by the client.

Offered electric strikes:

- fail secure JIS 1710
- fail-safe MCM 611, O&C 34.1.00E

Power supply as recommended by the producer.

D. LOCKS (see accessories p. 109)

Main lock: cylinder lock.

Additional upper lock: cylinder lock.

Anti-panic lock.

Offered locks:

- single leaf doors, mortise lock GBS 92 72/65 function B

Anti-panic hardware is available in two options: handle – handle, handle – panic bar.

Hotel lock.

There is a possibility to prepare doors for numerous electronic locks which have relevant certificates and are included in National Technical Assessment.

E. STAINLESS STEEL PANELS (see accessories p. 107)

Door leaves can be equipped with stainless steel panels, 0,6 mm high.

Offered panels:

- 'Kick-panel' 300 mm high
- 'Push-panel' placed at handle level, 300 mm high

F. BOTTOM SEALING

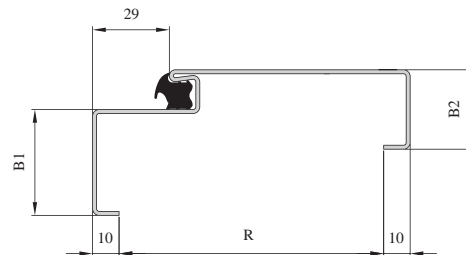
- automatic threshold seal

G. DOOR FRAMES

STEEL DOOR FRAME

Made of galvanized steel 1,5 mm thick. Powder coated, available in colours from Porta's current offer or **K** in any RAL or NCS colour. Optionally: reinforcement for a door closer, dowel pins. Available in two options: to be installed on finished floor level '0' or under floor level '-30' [mm].

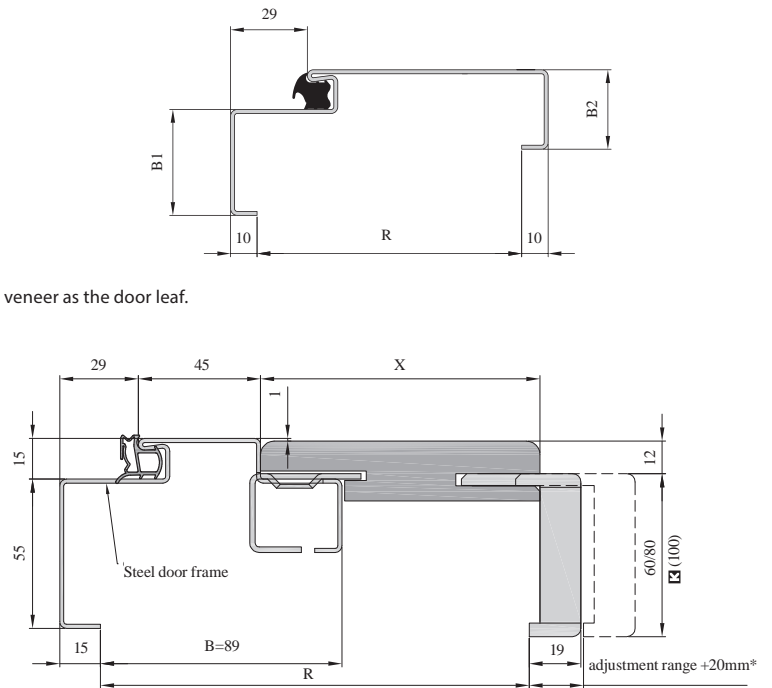
R Profile width [mm] - standard 100	B1 Front face height [mm] - standard 40	B2 Back face height [mm] - standard 30
80-480	K 30-55	K 30-75



PROJECT BIS DOOR FRAME

Steel door frame with PROJECT BIS cover, finished with the same veneer as the door leaf.

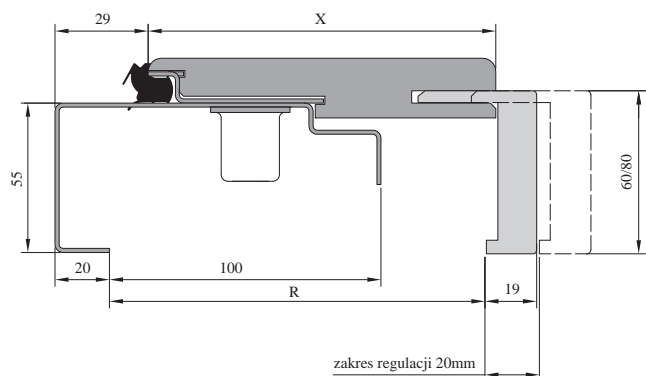
Adjustment range R [mm]	Door frame type	X QUARTZ cover [mm]
138-153	A*	83
158-178	B	103
183-203	C	128
203-223	D	148
223-243	E	168
243-263	F	188
263-283	G	208
283-303	H	228
303-323	I	248
323-343	J	268
343-363	K	288
363-383	K L	308
383-403	K M	328
403-423	K N	348



* for range A regulation +15 mm | **K** - contract

PROJECT PREMIUM DOOR FRAME

R Adjustment range [mm]	Door frame type	X Dimension [mm] Cover
133-153	B	128
153-173	C	148
173-193	D	168
193-213	E	188
213-233	F	208
233-253	G	228
253-273	H	248
273-293	I	268
293-313	J	288
313-333	K	308



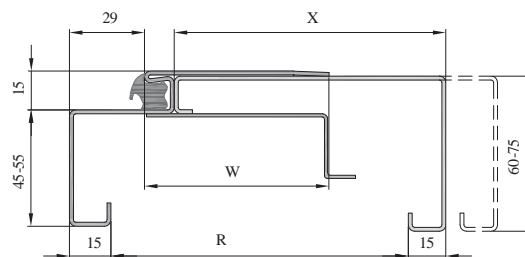
NOTE! Steel profile in standard version..

ADJUSTABLE STEEL DOOR FRAME

Adjustable door frame.

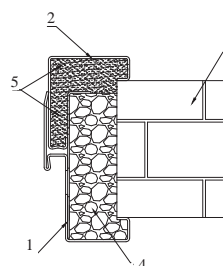
R Adjustment range [mm]	Door frame type	Dimensions „X“ [mm] back profile – adjustable part	Dimensions „W“ [mm] front profile – fixed part
95-115	A	82	50
120-145	B	105	60
145-170	C	130	
170-195	D	155	70
195-220	E	180	
220-245	F	205	80
245-270	G	230	
270-295	H	255	90
295-320	I	280	
320-345	J	305	90
345-370	K	330	
370-395	L	355	
395-420	M	380	
420-445	N	405	
445-470	O	430	

NOTE: Adjustment ranges 'I-O' available only in contract order



Adjustable steel door frame- GROUP RI

How to fill the door frame profile during installation doors without fire resistance and/or smoke control.



Description:

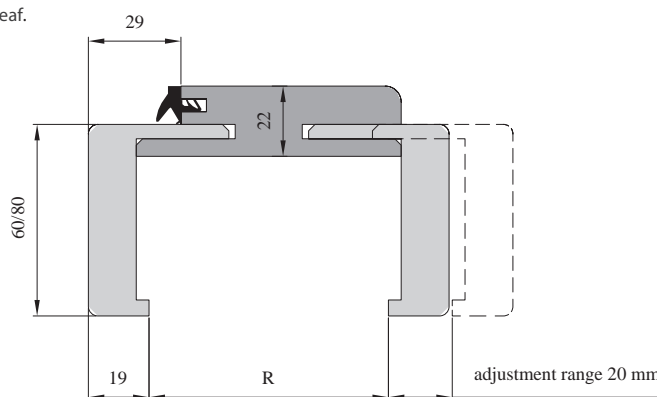
1. Adjustable steel door frame - main profile
2. Adjustable steel door frame - adjustable part profile
3. Wall
4. Expanding foam
5. Expanding foam or mineral wool

PORTA SYSTEM DOOR FRAME

Adjustable door frame, finished with the same veneer as the door leaf.

R Adjustment range [mm]	Door frame type
75-95	A
95-115	B
120-140	C
140-160	D
160-180	E
180-200	F
200-220	G
220-240	H
240-260	I
260-280	J
280-300	K
300-320	<input checked="" type="checkbox"/> L
320-340	<input checked="" type="checkbox"/> M
340-360	<input checked="" type="checkbox"/> N

- ranges M and N are available only for synthetic veneers



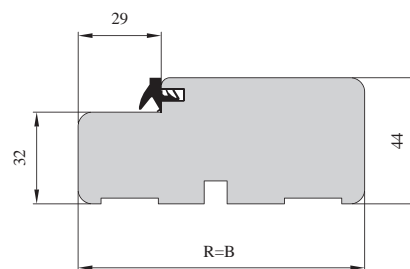
MDF DOOR FRAME

For fixed door frames we offer quarterrounds and architraves. Fixed door frames made of laminated glued softwood are also available. Door frames dimensions shown below do not include veneer thickness.

• Fixed door frame 100 mm, made from MDF, finished with the same veneer as the door leaf.

R Adjustment range [mm]	Door frame type	B MDF 100 beam [mm]
100	100	100

- Other beam dimensions R available.



There is a possibility to have accessories that are not featured above e.g. electric door magnet, electric door stop, automatic shootbolt p. 107/108), after consulting with Contract Department.

National Technical Assessment No ITB-KOT-2017/0007 issue 1 • National Certification of Constancy of Performance 020-UWB-0567/W • Hygienic Certificate 87/322/88/2018

Acoustic rating R_w 32dB in accordance with PN-87/B-02151/03 and $D_{1,30}$, $D_{2,30}$ in accordance with PN-B-02151-3:2015
Strength performance class 3 in accordance with PN-EN 1192:2001



> INDICATIONS FOR USE

Indications for use of DT-A32 doors: DT-A32/M option – as apartment entrance doors in residential buildings and public buildings. They can be used in conditions corresponding to 3rd strength performance class in accordance with PN-EN 1192:2001. Options DT-A32/PS and DT-A32/D: as internal doors in residential buildings and public buildings. They can be used in conditions corresponding to 3rd strength performance class in accordance with PN-EN 1192:2001.

Door marks: DT-A32/M – single leaf solid doors with a steel door frame


DT-A32/PS – single leaf solid doors with Porta SYSTEM door frame

DT-A32/D – single leaf solid doors with MDF 44 mm door frame

> CONSTRUCTION

A. FINISH

Veneer: CPL, HPL, PCV, natural standard, natural select.

Colours and patterns from standard and  non-standard collections.

B. SKIN

HDF or slim particle board
(doors in natural veneer).

C. CORE

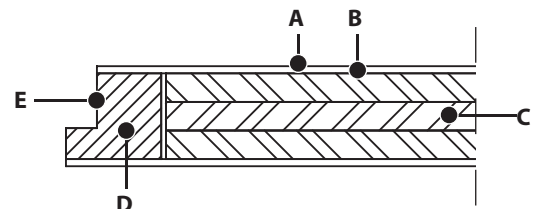
Chipboard.

D. RAILS AND STILES

Rails and stiles made of exotic wood.

E. LIPPING

Doors finished with CPL – 1 mm thick lipping ABS on vertical edges.
For other finishes edge tape in door leaf colour.



DIMENSION RANGES WITHIN NATIONAL TECHNICAL ASSESSMENT

	DOOR TYPE	DOOR LEAF WIDTH S_s	DOOR LEAF HEIGHT H_s
Single leaf	rebated* solid doors	max 1144 mm	max 2250 mm
Double leaf**	rebated solid doors	max 1044 mm	max 2200 mm

* Single leaf non-rebated door with Porta System door frame is available within Individual Approval Documentation (DJ), acoustic rating is confirmed.
Maximum door size – „90“.

** Double leaf doors that are in accordance with National Technical Assessment are available only with steel of MDF door frame.

> ACCESSORIES AND HARDWARE

A. DOOR CLOSER (see accessories p. 107)

Surface mounted:

Door closers both with arms and slide rails have to be chosen accordingly to the weight and size of a door leaf Installation of a door closer requires reinforcing a door leaf and a door frame.

Concealed:

Installation requires to thicken the door leaf and to change door frame rebate.

Offered door closers:

- Eco Schulte ITS Multi Genius
- Dorma ITS 96
- Geze Boxer 2-4

B. HINGES (see accessories p. 106)

- reinforced three-part hinges
- stainless steel heavy duty hinges VX7939/160
- for non-rebated doors V4487WF

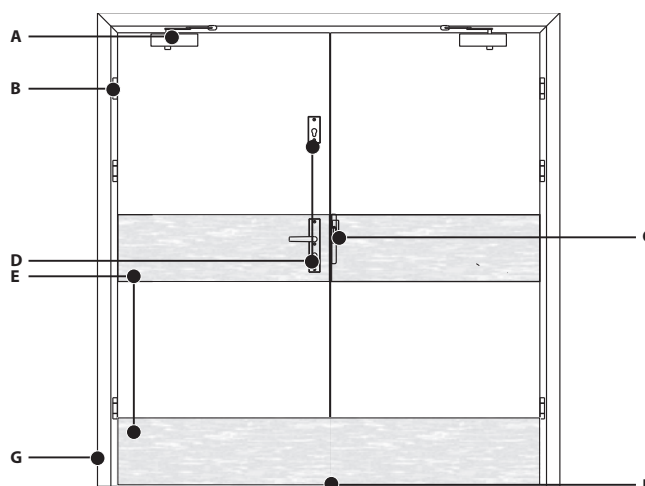
C. ELECTRIC STRIKE (see accessories p. 108)

There is a possibility to install numerous electric strikes indicated by the client.

Offered electric strikes:

- fail secure JIS 1510
- fail-safe JIS 1511

Power supply as recommended by the producer.



D. LOCKS (see accessories p. 109)

Main lock: cylinder lock.

Additional upper lock: cylinder lock.

Anti-panic lock.

Offered locks:

- single leaf doors, mortise lock GBS 92 72/65 function B
 - double leaf doors: active leaf – mortise lock GBS 93 72/65 function B, passive leaf – counter lock GBS 94
- Anti-panic hardware is available in two options: handle – handle, handle – panic bar.

Hotel lock.

There is a possibility to prepare doors for numerous electronic locks which have relevant certificates and are included in National Technical Assessment.

E. STAINLESS STEEL PANEL (see accessories p. 107)

Door leaves can be equipped with stainless steel panels 0,6 mm thick. Offered panels:

- ‘kick-panel’ 300 mm high
- ‘push-panel’ placed at handle level, 300 mm high

F. BOTTOM SEALING

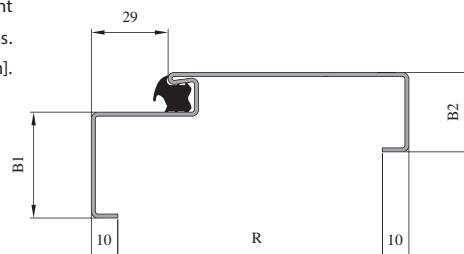
- automatic threshold seal

G. DOOR FRAMES

STEEL DOOR FRAME




Made of galvanized steel, 1,5 mm thick. Powder coated, available in colours from Porta’s current offer or in any RAL or NCS colour. Optionally – reinforcement for a door closer, dowel pins. Available in two options: to be installed on a finished floor level ‘0’ or under floor level ‘-30’ [mm].


R Profile width [mm] – standard 100	B1 Front face height [mm] – standard 40	B2 Back face height [mm] – standard 30
80-480	<input checked="" type="checkbox"/> 30-55	<input checked="" type="checkbox"/> 30-75

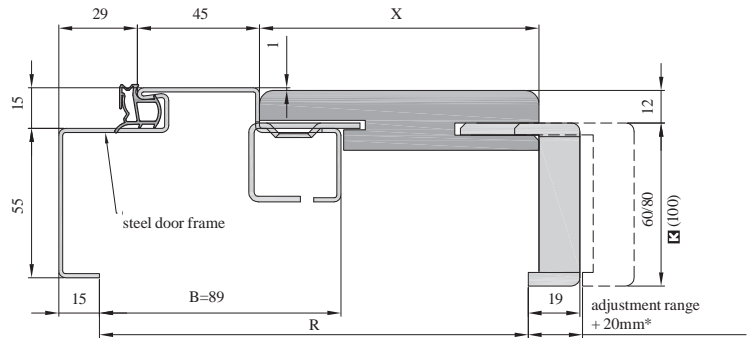


PROJECT BIS DOOR FRAME COVER

Steel door frame with PROJECT BIS cover, finished with door leaf finish.


Adjustment range R [mm]	Door frame type	X Cover 32dB [mm]
138-153	A*	83
158-178	B	103
183-203	C	128
203-223	D	148
223-243	E	168
243-263	F	188
263-283	G	208
283-303	H	228
303-323	I	248
323-343	J	268
343-363	K	288
363-383	 L	308
383-403	 M	328
403-423	 N	348

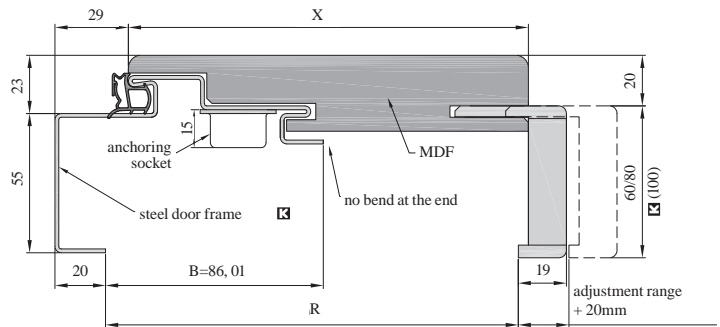
*for range A adjustment +15 mm |  -contract order



PROJECT DOOR FRAME COVER - MODIFIED

R Adjustment range [mm]	Door frame type	X Dimension [mm] Cover
138-158	B	133
163-183	C	158
183-203	D	178
203-223	E	198
223-243	F	218
243-263	G	238
263-283	H	258
283-303	I	278
303-323	J	298
323-343	K	318

NOTE! Modified steel door frame - contract order
 - Contract (bespoke)

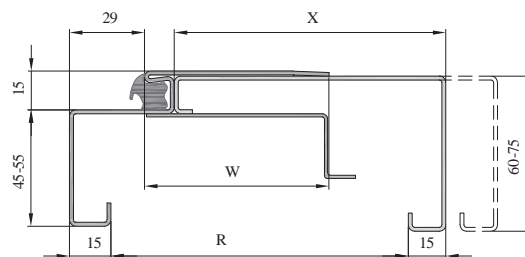


ADJUSTABLE STEEL DOOR FRAME

Adjustable door frame.

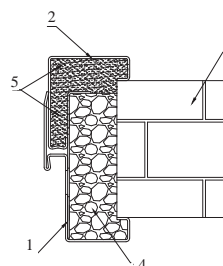
R Adjustment range [mm]	Door frame type	Dimensions „X” [mm] back face – adjustable part	Dimensions „W” [mm] profile fixed – part
95-115	A	82	50
120-145	B	105	60
145-170	C	130	
170-195	D	155	70
195-220	E	180	
220-245	F	205	80
245-270	G	230	
270-295	H	255	90
295-320	I	280	
320-345	J	305	90
345-370	K	330	
370-395	L	355	
395-420	M	380	
420-445	N	405	
445-470	O	430	

NOTE: Dimension ranges „I-O” are available only in a bespoke order



Adjustable steel door frame- GROUP RI

How to fill the door frame profile during installation doors without fire resistance and/or smoke control.



Description:

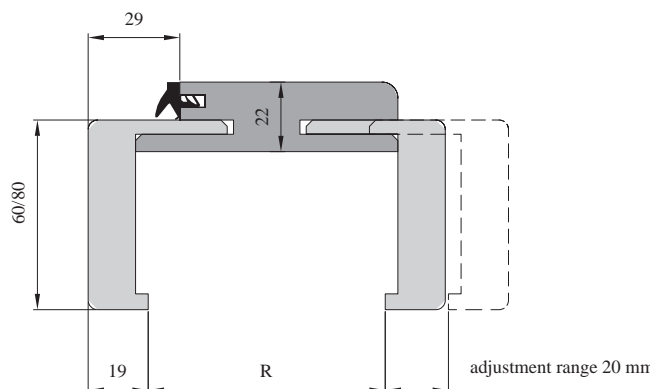
1. Adjustable steel door frame - main profile
2. Adjustable steel door frame - adjustable part profile
3. Wall
4. Expanding foam
5. Expanding foam or mineral wool

REINFORCED PORTA SYSTEM DOOR FRAME

Adjustable door frame finished with the same veneer as the door leaf. Beams are made from plywood.

R Adjustment range [mm]	Door frame type
75-95	A
95-115	B
120-140	C
140-160	D
160-180	E
180-200	F
200-220	G
220-240	H
240-260	I
260-280	J
280-300	K
300-320	<input checked="" type="checkbox"/> L
320-340	<input checked="" type="checkbox"/> M
340-360	<input checked="" type="checkbox"/> N

- dimension ranges M and N available only for synthetic finishes



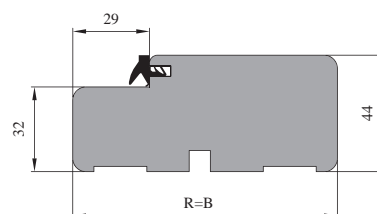
MDF DOOR FRAME

For fixed door frames we offer quarterrounds and architraves. Fixed door frames made from laminated glued softwood are also available. Door frames dimensions shown below do not include veneer thickness.

Fixed door frame 100 mm, made from MDF, finished with the same veneer as the door leaf.

R Profile width [mm]	Door frame type	B MDF 100 beam [mm]
100	100	100

Other dimensions of R beam profile also available.



There is a possibility to have accessories that are not featured above e.g. electric door magnet, electric door stop, automatic shootbolt p. 107/108), after consulting with Contract Department.

National Technical Assessment No ITB-KOT-2017/0007 issue.1 • National Certification of Constancy of Performance No 020-UWB-0567/W • Hygienic Certificate 86/322/87/2018

Acoustic rating R_w 37dB in accordance with PN-87/B-02151/03 i $D_1,35$, $D_2,30$ in accordance with PN-B-02151-3:2015
Fire resistance $EI_2,30$ in accordance with PN-EN 13501-2+A1:2010
Smoke control class S_d, S_{200} in accordance with PN-EN 13501-2:2016



> INDICATIONS FOR USE

Indications for use of DT-A37 doors, rebated or non-rebated: as apartment entrance doors in residential buildings and public buildings.

DOOR MARKS:

- DT-A37/M** – single leaf, rebated and non-rebated solid door with a steel door frame
- DT-AW/PS** – single leaf, rebated and non-rebated solid door with Porta SYSTEM adjustable door frame
- DT-AW/D** – single leaf, rebated and non-rebated solid door with MDF door frame

> CONSTRUCTION

A. FINISH

Veneer: CPL, HPL, PCV, natural standard, natural select.
 Colours and patterns from standard or non-standard collections.

B. SKIN

HDF or slim particle board
 (door leaves in natural veneer).

C. CORE

Soundproof and fireproof infill.

D. RAILS AND STILES

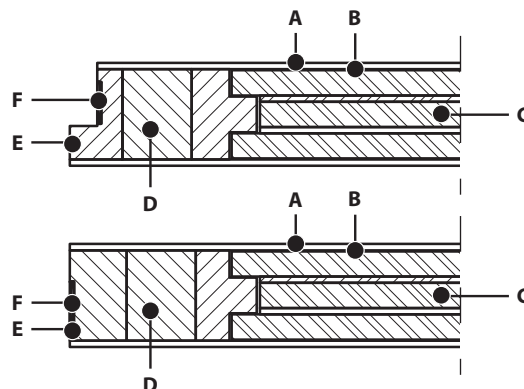
Rails and stiles made of laminated glued softwood.

E. LIPPING

Doors finished with CPL – 1 mm thick lipping ABS on vertical edges.
 For other finished edge tape in door leaf colour.

F. SEALING

Intumescent seal.



DIMENSION RANGES WITHIN NATIONAL TECHNICAL ASSESSMENT

	DOOR TYPE	DOOR LEAF WIDTH S_s	DOOR LEAF HEIGHT H_s
Single leaf*	rebated solid doors non-rebated solid doors	max 1044 mm max 1018 mm	max 2200 mm

Double leaf doors available within Individual Approval Documentation (DJ) without confirmed parameters.

> ACCESSORIES AND HARDWARE

A. DOOR CLOSER (see accessories p. 107)

Doors are prepared as standard for installation of a surface mounted door closer.

Offered door closers:

Surface mounted:

• **with an arm**

- Geze TS 4000 (door leaf width '60' – '110')
- Eco Schulte TS 41 (door leaf width '60' – '110')
- Dorma TS 83 (door leaf width '60' – '110')
- Dorma TS 71, TS 73V (door leaf width '60' – '110')

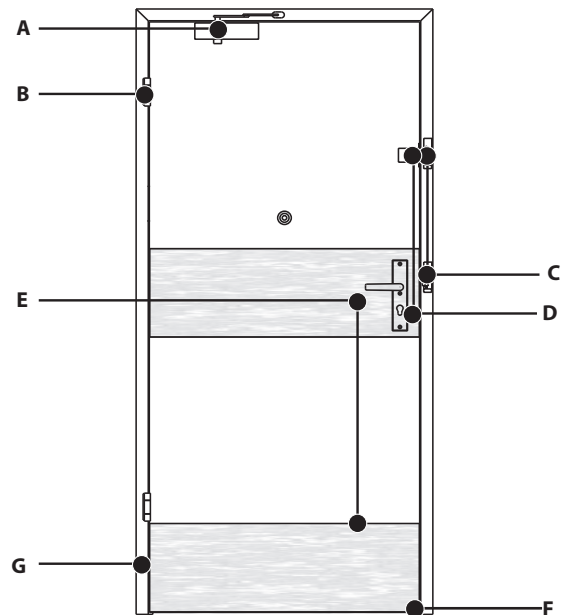
• **with a slide rail**

- Geze TS 5000 (door leaf width '60' – '110')
- Dorma TS 93 (door leaf width '60' – '110')
- Geze TS 3000V (door leaf width '60' – '110')

• **Concealed**

Installation requires special preparation of a door leaf and a door frame.

- Eco Schulte ITS Multi Genius
- Dorma ITS 96
- Geze Boxer 2-4



B. HINGES (see accessories p. 106)

Types of hinges depend on a door frame and a door leaf type (rebated, non-rebated)

- stainless steel heavy duty hinges VX7729/160
- stainless steel heavy duty hinges VX7939/160
- reinforced three-part hinges

C. ELECTRIC STRIKE (see accessories p. 108)

Offered electric strikes:

- fail secure: Eff Eff 142U (can work with the main lock)
- fail-safe: Eff Eff 342U (to work with an additional latch lock)

Power supply as recommended by the producer.

D. LOCKS (see accessories p. 109)

Main lock: cylinder lock.

Anti-panic lock.

Offered locks:

- single leaf doors, mortise lock GBS 92 72/65 function B

Anti-panic hardware is available in two options: handle – handle, handle – panic bar.

Latch lock: an additional lock to work with fail safe electric strike.

Hotel lock.

Doors with fire resistance and/or smoke control – there is an option to use: any hardware included in National Technical Assessment; hardware which has been placed on the market and approved with relevant number or symbol (on 4th position of the classification code) in a Technical Approval, National Technical Assessment or European Technical Assessment.

RECOMMENDED HOTEL LOCKS

Kaba 760, 770, 790;

LOB 5500, 8002, 8005, 8006, 8008

Tayama IT 5600

Hartmann Tresore HDL MF 20, HDL MF 20N, HDL MF 65

VinCard Classic with a mechanical lock acc. to EURO standard

E. STAINLESS STEEL PANEL (see accessories p. 107)

Door leaves can be equipped with stainless steel panels, 0,6 mm high.

Offered panels:


- 'kick-panel' 300 mm high
- 'push-panel' placed at handle level, 300 mm high



F. BOTTOM SEALING

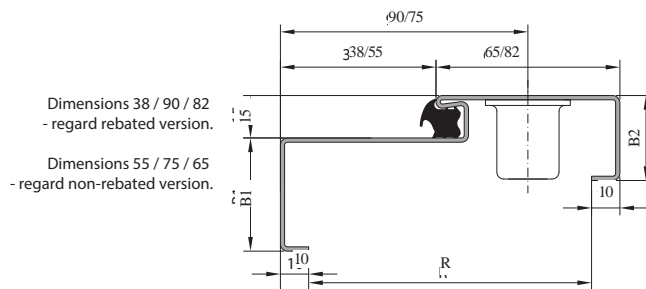
- automatic threshold seal

G. DOOR FRAMES

STEEL DOOR FRAME – rebated / non-rebated

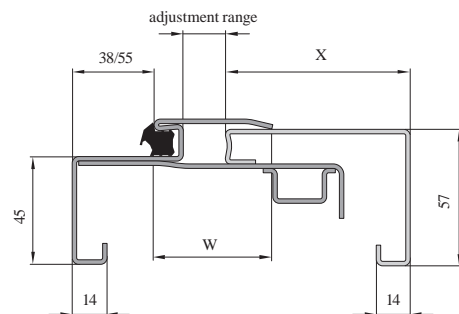
Made from steel sheet 1,5 mm thick. Powder coated, available in any colour from Porta's current offer or  in any RAL or NCS colour. It is reinforced for a door closer. Available in two options: to be mounted on finished floor level'0' or under floor level'-30' [mm]. Optional equipment: dowel pins.

R Adjustment range [mm] – standard 100	B1 Front face height [mm] – standard 40	B2 Back face height [mm] – standard 30
100-480	 30-55	 30-75



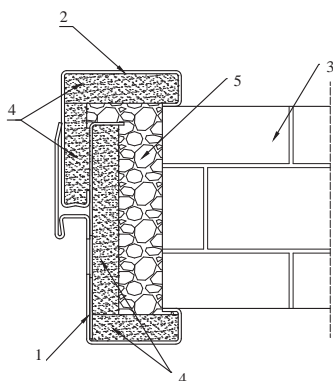
ADJUSTABLE STEEL DOOR FRAME – rebated / non-rebated

R Adjustment range [mm]	Door frame type	X Profile adjustable part [mm]	W Profile fixed part [mm]
95-120	A	82	50
121-145	B	105	60
146-170	C	130	70
171-195	D	155	
196-220	E	180	80
221-245	F	205	
246-270	G	230	90
271-295	H	255	



Adjustable steel door frame - GROUP RI




How to fill the door frame profile during installation doors with fire resistance and/or smoke control.




- Description:**
1. Adjustable steel door frame - main profile
 2. Adjustable steel door frame - adjustable part profile
 3. Wall
 4. Plaster board + gypsum mortar
 5. Expanding foam, type approved in National Technical Assessment

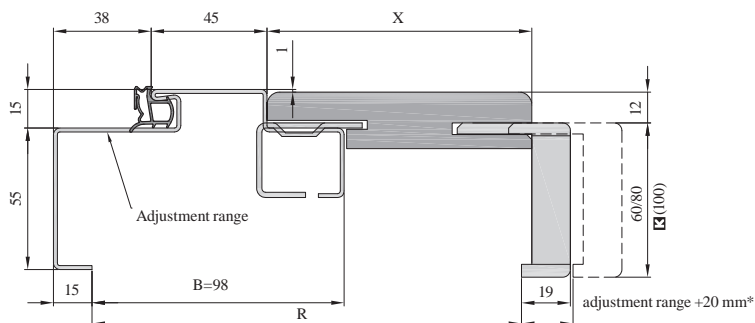
PROJECT BIS DOOR FRAME, REBATED

Steel door frame with PROJECT BIS cover finished with the same veneer as the door leaf.




R Adjustment range [mm] rebated	Door frame type	X 37 dB cover [mm]
147-162	A*	83
167-187	B	103
192-212	C	128
212-232	D	148
232-252	E	168
252-272	F	188
272-292	G	208
292-312	H	228
312-332	I	248
332-352	J	268
352-372	K	288
372-392	 L	308
392-412	 M	328
412-432	 N	348

NOTE! *for range A regulation +15 mm


 - contract

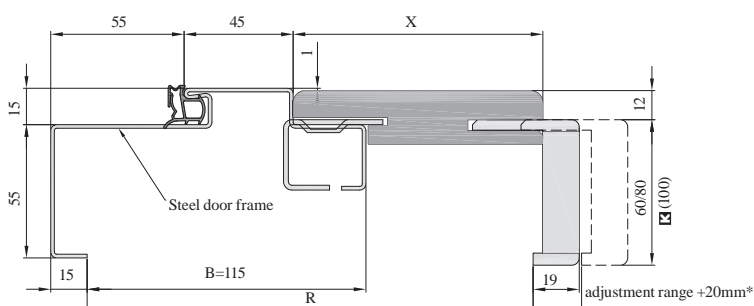


PROJECT BIS DOOR FRAME, NON-REBATED

R Adjustment range [mm] rebated	Door frame type	X 37 dB cover [mm]
164-179	A*	83
184-204	B	103
209-229	C	128
229-249	D	148
249-269	E	168
269-289	F	188
289-309	G	208
309-329	H	228
329-349	I	248
349-369	J	268
369-389	K	288
389-409	 L	308
409-429	 M	328
429-449	 N	348

NOTE! *for range A adjustment +15 mm

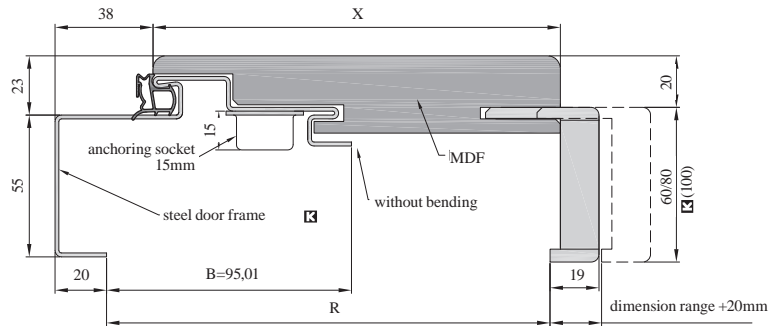
 - contract



☒ MODIFIED PROJECT DOOR FRAME, REBATED

Steel door frame with PROJECT cover, finished with the same veneer as the door leaf.

R Adjustment range [mm] rebated	Door frame type	X 37 dB cover [mm]
147-167	B	133
172-192	C	158
192-212	D	178
212-232	E	198
232-252	F	218
252-272	G	238
272-292	H	258
292-312	I	278
312-332	J	298
332-352	K	318

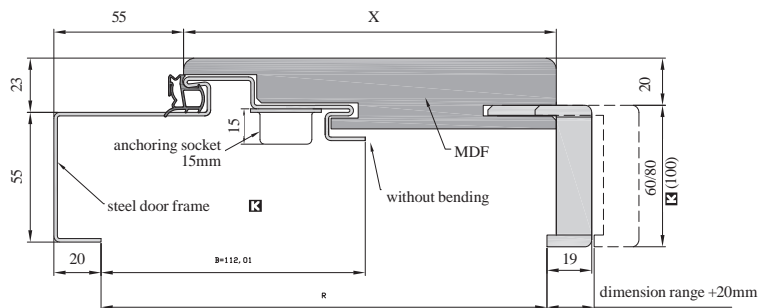


NOTE! Modified steel door frame – contract

☒ – contract

MODIFIED PROJECT DOOR FRAME, NON-REBATED

R Adjustment range [mm] rebated	Door frame type	X 37dB cover [mm]
164-184	B	133
189-209	C	158
209-229	D	178
229-249	E	198
249-269	F	218
269-289	G	238
289-309	H	258
309-329	I	278
329-349	J	298
349-369	K	318



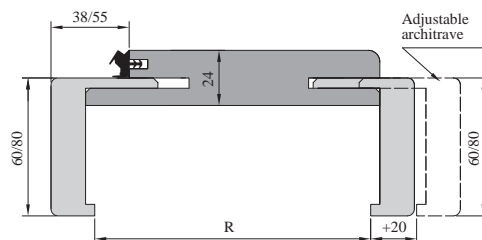
NOTE! Modified steel door frame – contract

☒ – contract

REINFORCED PORTA SYSTEM DOOR FRAME – rebated / non-rebated

Adjustable door frame, finished with the same veneer as the door leaf. Beams made from plywood.

R Adjustment range [mm]	Door frame type [mm]	R Dimensions [mm]
120-140	C	120
140-160	D	140
160-180	E	160
180-200	F	180
200-220	G	200
220-240	H	220
240-260	I	240
260-280	J	260
280-300	K	280



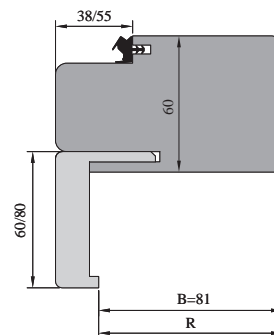
MDF DOOR FRAME

For fixed door frames we offer quarterrounds and architraves. **K** Fixed door frames made from laminated glued softwood are also available. Door frames dimensions shown below do not include veneer thickness.

Fixed door frame 100 mm, made from MDF finished with the same veneer as the door leaf.

R Adjustment range [mm]	Door frame type	B MDF 37dB beam [mm]
81	100	81

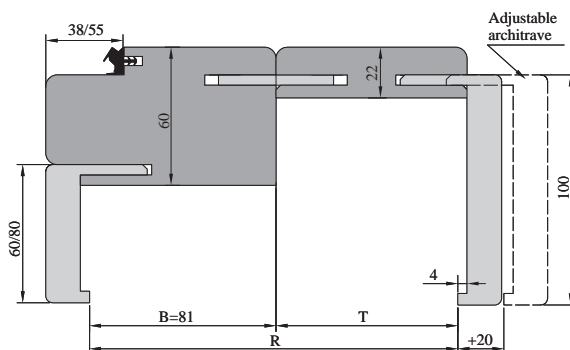
K Other beam dimensions R available.



K **ADJUSTABLE MDF DOOR FRAME**

Fixed door frame 100 mm, made from MDF finished with the same veneer as the door leaf.

R Adjustment range [mm]	Door frame type	R = B + T [mm]
137-157	A137	81 + (60 - 4)
160-180	A	81 + (83 - 4)
180-200	B	81 + (103 - 4)
205-225	C	81 + (128 - 4)
225-245	D	81 + (148 - 4)
245-265	E	81 + (168 - 4)
265-285	F	81 + (188 - 4)
285-305	G	81 + (208 - 4)
305-325	H	81 + (228 - 4)
325-345	I	81 + (248 - 4)
345-365	J	81 + (268 - 4)
365-385	K	81 + (288 - 4)



K There is a possibility to have accessories not featured above (e.g. electric door magnets, electric door stops, automatic shootbolt p. 107/108), after consulting with Contract Department.

National Technical Assessment No ITB-KOT-2017/0096 issue 1 • National Certification of Constancy of Performance No 020-UWB-2546/W • Hygienic Certificate 95/322/100/2015

Acoustic rating Rw 42dB in accordance with PN-87/B-02151/03 and D₁40, D₂35 wg PN-B-02151-3:2015

Strength performance class 3 in accordance with PN-EN 1192:2001

Fire resistance EI₃₀ in accordance with PN-EN 13501-2+A1:2010.2, PN-EN 13501-2+A1:2010

(only DT-AW/M and DT-AW/D) – does not regard sets with Porta System door frame.

Smoke control class S_aS_{200'} in accordance with PN-EN 13501-2+A1:2016 (types DT-AW/M, DT-AW/D)



> INDICATIONS FOR USE

Indications for use of DT-AW rebated doors: as internal doors in residential building and public buildings. Thanks to endurance properties DT-AW doors can be used in conditions corresponding to 3rd strength performance class in accordance with PN-EN 1192:2001, i.e. heavy duty.

DOOR MARKS: DT-AW/M – single leaf solid doors with a steel door frame

DT-AW/PS – single leaf solid doors with adjustable Porta SYSTEM door frame – doors without fire resistance

DT-AW/D – single leaf solid doors with MDF door frame

> CONSTRUCTION

A. FINISH

Veneer: CPL, HPL, PCV, natural standard, natural select.

Colours and patterns from standard and non-standard collection.

B. SKIN

HDF or slim particle board

(doors in natural veneer).

C. CORE

Soundproof and fireproof infill.

D. RAILS AND STILES

Rails and stiles made of exotic wood.

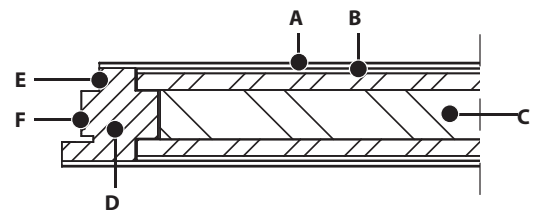
E. LIPPING

Clear lacquered stiles,

varnished or lacquered in door leaf colour.

F. SEALING

Intumescent seal.

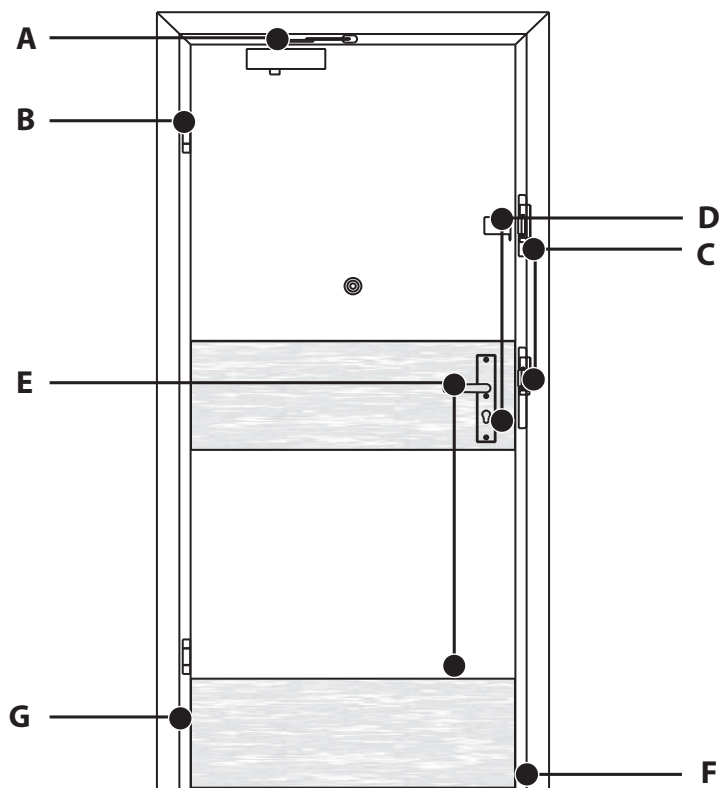


DIMENSION RANGES WITHIN NATIONAL TECHNICAL ASSESSMENT

	DOOR TYPE	DOOR LEAF WIDTH S _s	DOOR LEAF HEIGHT H _s
Single leaf*	rebated solid doors	max 1088 mm	max 2200 mm

* Double leaf doors available within Individual Approval Documentation (DJ) with confirmed acoustic rating – in a set with a steel door frame. Sets with other door frames – without acoustic rating.

> ACCESSORIES AND HARDWARE



A. DOOR CLOSER (see accessories p. 107)

Doors are prepared as standard for installation of surface mounted door closers.

Offered door closers:

Surface mounted:

• with an arm

- Geze TS 4000 (door leaf width '60' – '110')
- Eco Schulte TS 41 (door leaf width '60' – '110')
- Dorma TS 83 (door leaf width '60' – '110')
- Dorma TS 71, TS 73V (door leaf width '60' – '110')

• with a slide rail

- Geze TS 5000 (door leaf width '60' – '110')
- Dorma TS 93 (door leaf width '60' – '110')
- Geze TS 3000V (door leaf width '60' – '110')

• Concealed:

Installation requires special preparation of a door leaf and a door frame.

- Eco Schulte ITS Multi Genius
- Dorma ITS 96
- Geze Boxer 2 – 4

B. HINGES (see accessories p. 106)

- stainless steel heavy duty hinges VX7939/160

C. ELECTRIC STRIKE (see accessories p. 108)

For single leaf and double leaf doors:

Offered electric strikes:

- fail secure: Eff Eff 142U (to work with a main lock)
- fail-safe: Eff Eff 342U (to work with an additional latch lock)

Power supply as recommended by the producer.

D. LOCKS (see accessories p. 109)

Main lock: cylinder lock.

☑ Anti-panic lock.

Offered locks:

- single leaf doors GBS 92 72/65, function B
- double leaf doors: active leaf – mortise lock GBS 93 72/65 function B, passive leaf – counter lock GBS 94

Anti-panic hardware is available in two options: handle – handle, handle – panic bar.

☑ Latch lock additional lock to work with fail-safe electric strike.

☑ Hotel lock.

• Doors with fire resistance and/or smoke control – there is an option to use: any hardware included in National Technical Assessment; hardware which has been placed on the market and approved with relevant number or symbol (on 4th position of the classification code) in a Technical Approval, National Technical Assessment or European Technical Assessment.

RECOMMENDED HOTEL LOCKS

Ving Card Euro
Kaba 760
Inhova 2UB4A
Miwa AW2H
Kaba 790,770
Hartmann Tresore HDL MF 20

E. ☑ STAINLESS STEEL PANEL (see accessories p. 107)

Door leaves can be equipped with stainless steel panels, 0,6 mm thick.

Offered panels:

- 'kick-panel' 300 mm high
- 'push-panel' placed at handle level, 300 mm high

F. BOTTOM SEALING

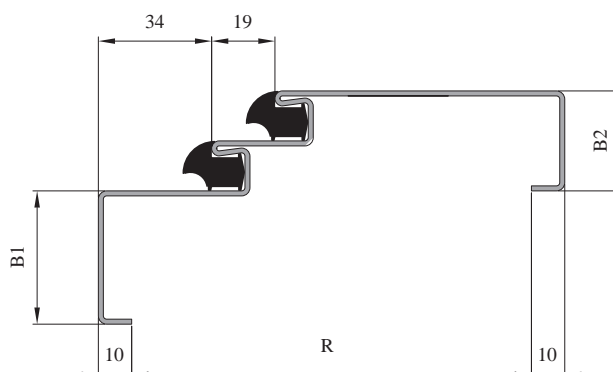
- two automatic threshold seals

G. DOOR FRAMES

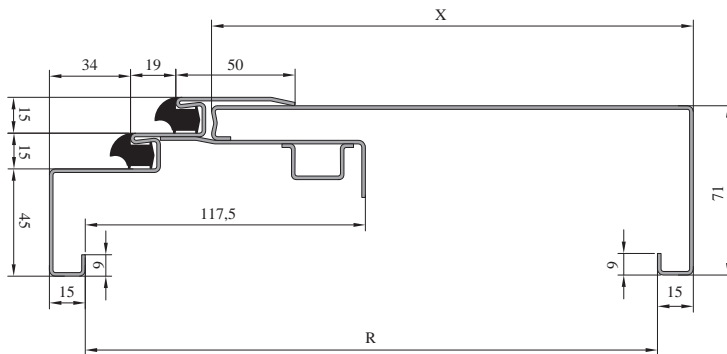
STEEL DOOR FRAME

Made of galvanized steel, 1,5 mm thick. Powder coated, available in colours from Porta's current offer or ☑ in any RAL or NCS colour. It is reinforced for a door closer. Available in two options: to be installed on a finished floor level '0' or under floor level '-30' [mm]. Optional accessories: dowel pins.

R Profile width [mm] – standard 120	B1 Front face height [mm] – standard 40	B2 Back face height [mm] – standard 30
120-480	☑ 30-55	☑ 30-75

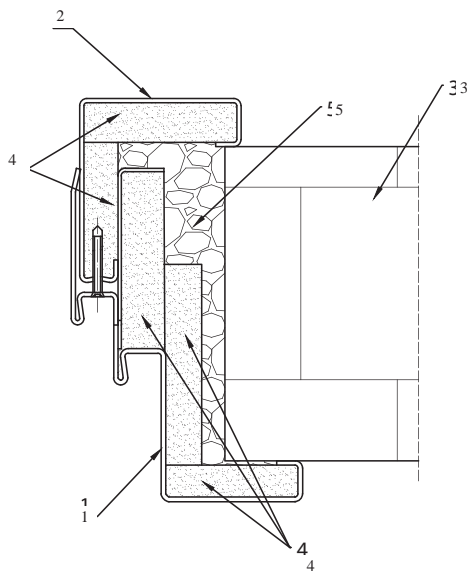


ADJUSTABLE STEEL DOOR FRAME 42DB



Adjustable steel door frame- GROUP RI

How to fill the door frame profile during installation 42 dB doors (DT-AW/M)



Description:

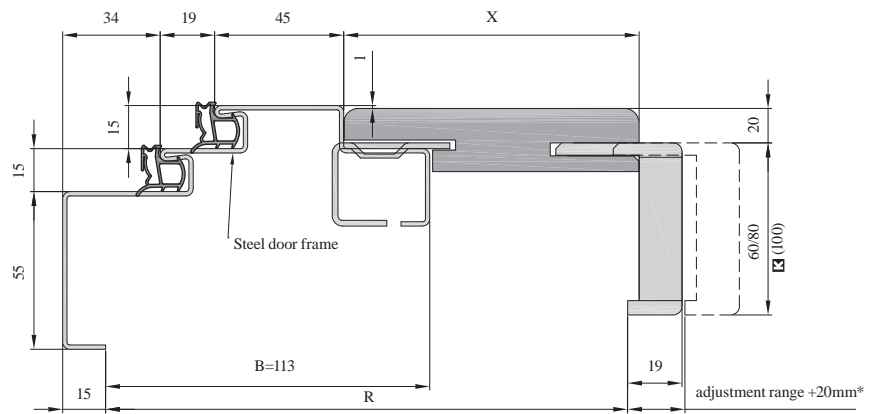
1. Adjustable steel door frame - main profile
2. Adjustable steel door frame - adjustable part profile
3. Wall
4. Plaster board + gypsum mortar
5. Expanding foam, type approved in National Technical Assessment

NOTE! Front face is fixed. Adjustment range changes with 'x' dimension and it's chosen according to client's order.

PROJECT BIS DOOR FRAME

Steel door frame with PROJECT BIS cover finished with the same veneer as the door leaf.

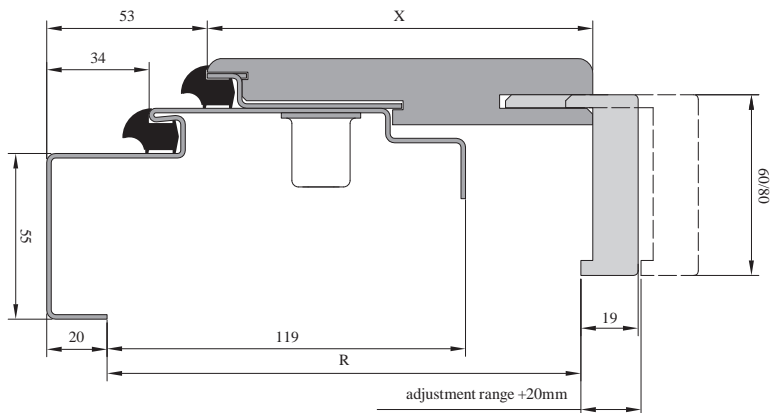
R Adjustment range [mm]	Door frame type	X 42dB cover [mm]
162-177	A*	83
182-202	B	103
207-227	C	128
227-247	D	148
247-267	E	168
267-287	F	188
287-307	G	208
307-327	H	228
327-347	I	248
347-367	J	268
367-387	K	288
387-407	<input checked="" type="checkbox"/> L	308
407-427	<input checked="" type="checkbox"/> M	328
427-447	<input checked="" type="checkbox"/> N	348



NOTE! *for range A adjustment +15 mm | – contract

PROJECT PREMIUM DOOR FRAME

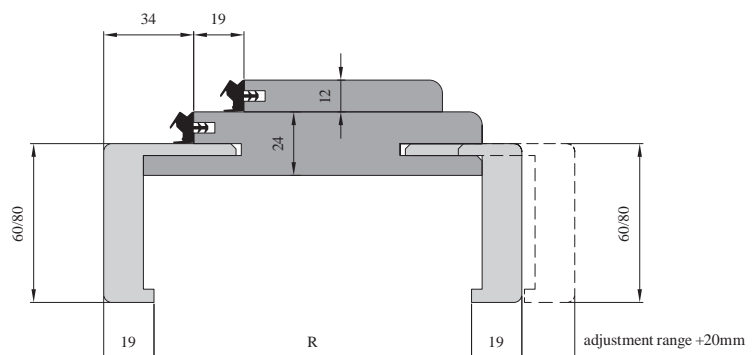
R Adjustment range [mm]	Door frame type	X 42dB cover [mm]
157-177	B	128
177-197	C	148
197-217	D	168
217-237	E	188
237-257	F	208
257-277	G	228
277-297	H	248
297-317	I	268
317-337	J	288
337-357	K	308



REINFORCED PORTA SYSTEM DOOR FRAME

Adjustable door frame, finished with the same veneer as the door leaf. Door frame beams are made of plywood.

R Adjustment range [mm]	Door frame type [mm]
120-140	C
140-160	D
160-180	E
180-200	F
200-220	G
220-240	H
240-260	I
260-280	J
280-300	K



MDF DOOR FRAME

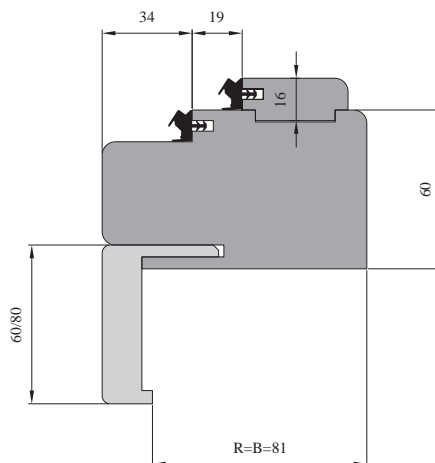
Architraves and quaterrounds are available. Fixed door frames made from glued laminated softwood are also available. Door frame dimensions shown below do not include veneer thickness.

Fixed door frame 100 mm,

Made from MDF, finished with the same veneer as the door leaf.

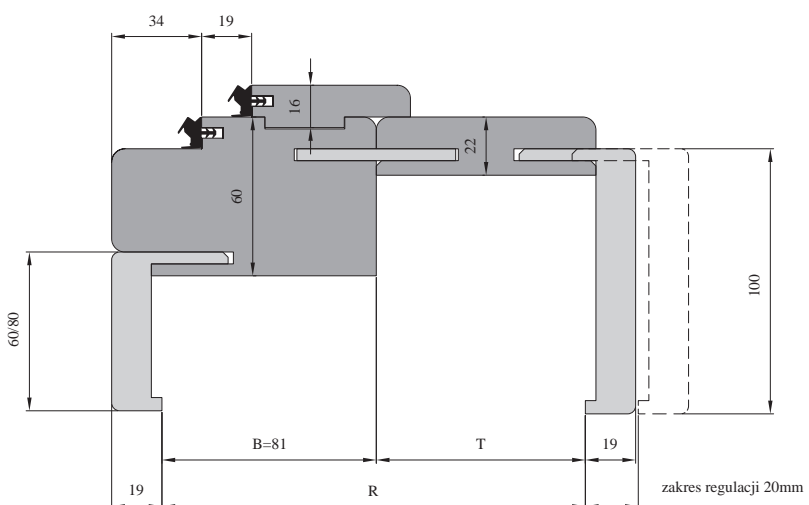
R Profile width [mm]	Door frame type	B MDF beam [mm]
81	100	81

– Other profile widths R available.



MDF ADJUSTABLE DOOR FRAME

R Adjustment range [mm]	Door frame type [mm]	R = (B + T) [mm]
160-180	A	81 + (75 + 4)
180-200	B	81 + (95 + 4)
205-225	C	81 + (120 + 4)
225-245	D	81 + (140 + 4)
245-265	E	81 + (160 + 4)
265-285	F	81 + (180 + 4)
285-305	G	81 + (200 + 4)
305-325	H	81 + (220 + 4)
325-345	I	81 + (240 + 4)
345-365	J	81 + (260 + 4)
365-385	K	81 + (280 + 4)



There is a possibility to have accessories that are not featured above (e.g. electric door magnet, electric door stop, automatic flush bolt p. 107/108), after consulting with Contract Department.

The background is a solid teal color. It features several large, semi-transparent water droplet shapes scattered across the page. The droplets are of varying sizes and orientations, creating a subtle pattern.

Specialized Doors

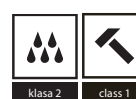
ROENTGEN

Technical doors / p. 88



AQUA

Technical doors / p. 91



ENDURO

Technical doors / p. 94



PORTA STEEL
PRODUCT

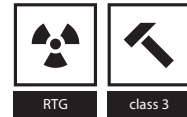
Multipurpose doors for utility rooms

Interior doors / p. 98



National Technical Assessment No. ITB-KOT-2017/0096 issue 1 • Hygienic Certificate 88/322/89/2018

Strength performance class: 3 in accordance with PN-EN 1192:2001



> INDICATIONS FOR USE

Indications for use of DT-O doors: as internal barrier in buildings. They are especially dedicated for rooms where are devices emitting X-rays. DT-O can be used in conditions corresponding to 3rd strength performance class in accordance with PN-EN 1192:2001 i.e. heavy duty.

DOOR MARKS: DT-O/M – single leaf doors ROENTGEN with a steel door frame,

DT-O/PS – single leaf doors ROENTGEN with Porta SYSTEM door frame

> CONSTRUCTION

A.FINISH

Veneer: CPL, HPL, PCV, natural standard, natural select.

Colours and patterns from standard and non-standard collections.

B.SKIN

Layer of lead sheet, thickness 2 x 0,5mm or 2 x 1mm with HDF or slim particle board (doors in natural veneer).

C. CORE

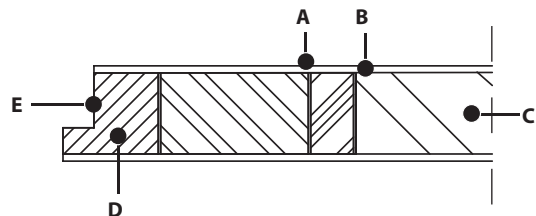
Hollow chipboard core reinforced with rails and stiles.

D. RAILS AND STILES

Rails and stiles made of glued laminated softwood.

E. LIPPING

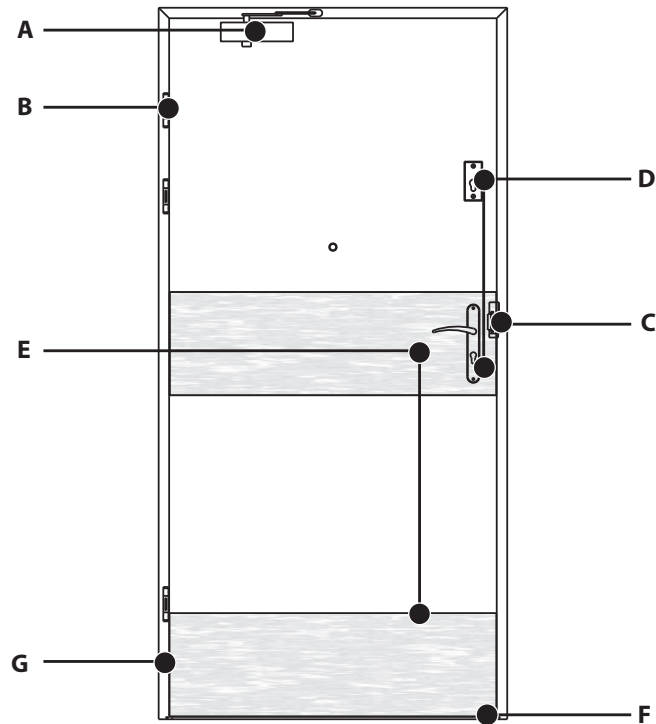
Doors finished with CPL – mm thick lipping ABS on vertical edges. For other finishes edge tape in door leaf colour.



DIMENSION RANGES WITHIN NATIONAL TECHNICAL ASSESSMENT

DOOR TYPE	DOOR LEAF WIDTH S_s	DOOR LEAF HEIGHT H_s
Single leaf solid doors	max 1044 mm	max 2200 mm

> ACCESSORIES AND HARDWARE



A. DOOR CLOSER (see accessories p. 107)

Surface mounted:

Door closers both with an arm and a slide rail have to be chosen accordingly to the weight and size of a door leaf. Installation of a door closers requires reinforcing the door leaf and the door frame.

B. HINGES (see accessories p. 106)

Depending on a door leaf weight: three-part reinforced hinges or stainless steel heavy duty hinges VX7939/160.

C. ELECTRIC STRIKE (see accessories p. 108)

For single leaf doors:

- fail secure JIS 1510
- fail-safe JIS 1511

Power supply as recommended by the producer.

D. LOCKS (see accessories p. 109)

Main lock: cylinder lock.

Additional upper lock: cylinder lock.

E. STAINLESS STEEL PANEL (see accessories p. 107)

Doors can be equipped with panels, 0,6 mm thick.

Offered panels:

- 'kick-panel' 300 mm high
- 'push-panel' placed at handle level, 300 mm high

F. BOTTOM SEALING

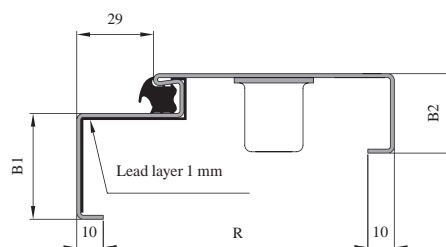
- stainless steel threshold
- automatic threshold seal

G. DOOR FRAMES

K CORNER PROFILE STEEL DOOR FRAME

Made of steel sheet 1,2 mm or 1,5 mm thick. From inside, door frame profile is taped with leaden sheet 1 mm thick. Door frame is powder coated and available in colours from Porta's current offer or **K** in any RAL or NCS colours. Available in two options: to be installed on finished floor level '0' or under floor level '-30' [mm].
Optionally: reinforcement for door closer, dowel pins.

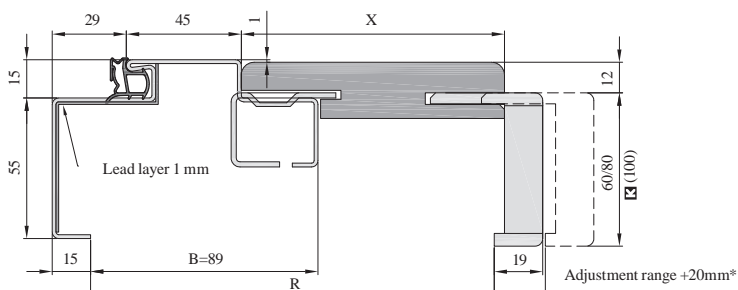
R Profile width [mm] - standard 100	B1 Front face height [mm] - standard 40	B2 Back face height [mm] - standard 30
80-480	K 30-55	K 30-75



K PROJECT BIS DOOR FRAME

Steel door frame with PROJECT cover finished with the same veneer as the door leaf.

R Adjustment range [mm]	Door frame type	X ROENTGEN cover [mm]
138-153	A*	83
158-178	B	103
183-203	C	128
203-223	D	148
223-243	E	168
243-263	F	188
263-283	G	208
283-303	H	228
303-323	I	248
323-343	J	268
343-363	K	288
363-383	K L	308
383-403	K M	328
403-423	K N	348



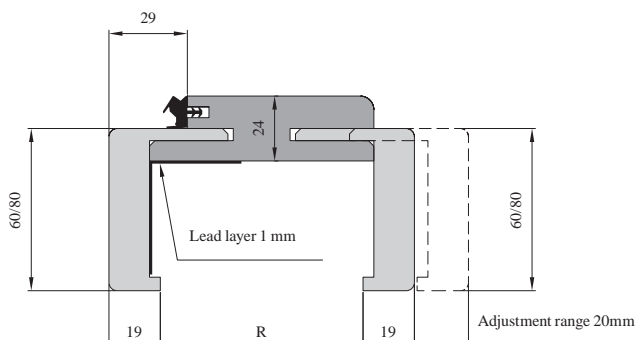
NOTE! For range A adjustment +15 mm

K -contract

K REINFORCED PORTA SYSTEM DOOR FRAME

Vertical beams are made from plywood. Door frame is finished with the same veneer as the door leaf. From inside, door frame profile is taped with leaden sheet 1 mm thick.

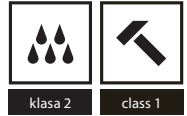
Adjustment range R [mm]	Door frame type
75-95	A
95-115	B
120-140	C
140-160	D
160-180	E
180-200	F
200-220	G
220-240	H
240-260	I
260-280	J
280-300	K



K There is a possibility to have accessories not featured above (e.g. electric door magnets, electric door stops p. 107/108), after consulting with Contract Department.

National Technical Assessment No. ITB-KOT-2017/0006 issue 1 • Hygienic Certificate 27/322/29/2016

Resistance to weather conditions class 2 in accordance with PN-EN 12219:2002
Strength performance class 1 in accordance with PN-EN 1192:2001




> **INDICATIONS FOR USE**

Indications for use of DT-W doors: as internal doors in rooms with increased air humidity. Thanks to endurance properties these doors can be used in conditions corresponding to 1st strength performance class in accordance with PN-EN 1192:2001, i.e. light duty.

DOOR MARK: DT-W – single leaf, non-rebated AQUA with a steel door frame.

> **CONSTRUCTION**

A. FINISH

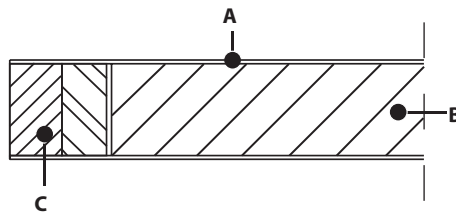
Veneer: HPL 1,5 mm.
 Colours and patterns from standard and  non-standard collections.

B. CORE

A board made from polyurethane foam.

C. RAILS AND STILES

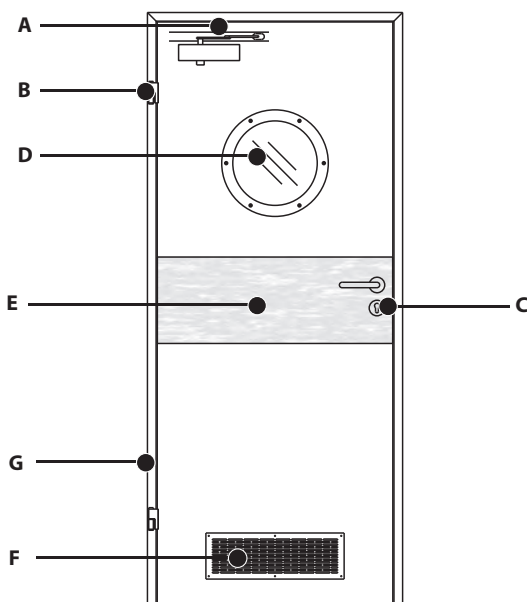
Rails and stiles made of PVC.



DIMENSION RANGES WITHIN NATIONAL TECHNICAL ASSESSMENT

DOOR TYPE	DOOR LEAF WIDTH S_s	DOOR LEAF HEIGHT H_s
Non-rebated single leaf	max 1018 mm	max 2200 mm

> ACCESSORIES AND HARDWARE



A. DOOR CLOSER (see accessories p. 107)

Surface mounted:

Door closers both with arms and slide rails have to be chosen accordingly to the weight and size of a door leaf.

Installation requires to reinforce a door leaf and a door frame.

B. HINGES (see accessories p. 106)

Visible stainless steel hinges for steel door frames.

C. LOCK (see accessories p. 109)

Cylinder lock with a stainless steel lock faceplate.

Roller lock with a stainless steel strike plate.

D. GLAZING

- Glazing patterns in line with Porta's offer or according to client's demand.
- Glazing types in line with Porta's current offer or according to client's demand (glass thickness range 4 – 6 mm).
Tempered or laminated glass panel available.
- Glazing beads made of stainless steel.
- Stainless steel porthole with internal diameter 250 mm for sizes '60' and '70', 300 mm for other sizes.

E. STAINLESS STEEL PANEL (see accessories p. 107)

Door leaves can be equipped with stainless steel panels, 0,6 mm high.

Offered panels:

- 'kick-panel' 300 mm high
- 'push-panel' placed at handle level, 300 mm high

F. VENTILATION (see accessories p. 107)

Stainless steel ventilation grille.

G. DOOR FRAMES

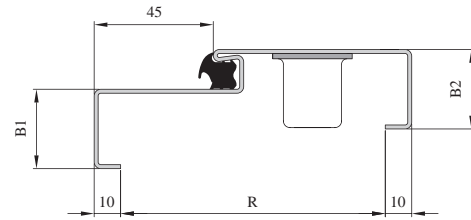
Door frames are powder coated and available in colours from Porta's current offer or in any RAL or NCS colour. Available in two options: to be installed on finished floor level '0' or under floor level '-30' [mm].

Optionally: reinforcement for a door closer.

CORNER PROFILE STEEL DOOR FRAME

Made of galvanized steel 1,2 mm thick.

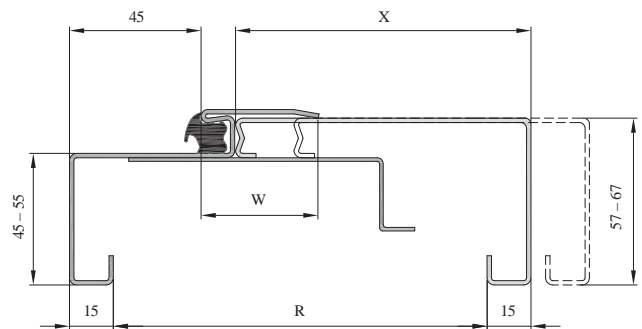
R Profile width [mm] – standard 100	B1 Front face height [mm] – standard 40	B2 Back face height [mm] – standard 30
80-480	☒ 30-55	☒ 30-75



☒ ADJUSTABLE STEEL DOOR FRAME

Made of galvanized steel 1,5 mm thick. Fixed part is anchored to a wall with the attached rawplugs or with self-tapping screws (plasterboard wall).

R Adjustment range [mm]	Door frame type	X Back profile adjustable part [mm]	W Profile front face [mm]
100-120	A	72	40
121-145	B	89	44
146-170	C	114	54
171-195	D	139	
196-220	E	164	64
221-245	F	189	
246-270	G	214	74
271-295	H	239	
296-320	☒ I	264	
321-345	☒ J	289	
346-370	☒ K	314	
371-395	☒ L	339	
396-420	☒ M	364	
421-445	☒ N	389	

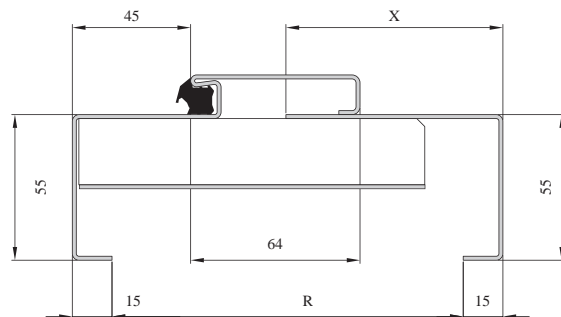


B1 Front face height [mm] standard 45	B2 Back face height [mm] standard 60
☒ 45-55	☒ 57-75

PORTA SYSTEM ADJUSTABLE STEEL DOOR FRAME

Made of galvanized steel 1,2 mm thick.

R Profile width [mm]	Door frame type	X Back profile adjustable part [mm]
95-120	A	80
121-145	B	105
146-170	C	130
171-195	D	155
196-220	E	180
221-245	F	205
246-270	G	230
271-295	H	255



☒ There is a possibility to have accessories that are not featured above (e.g. electric door magnets, electric door stops, p. 107/108), after consulting with Contract Department.

Technical Assessment AT-15-6515/2016 • Hygienic Certificate 88/322/89/2018

Strength performance class: 3 in accordance with PN-EN 1192:2001




> INDICATIONS FOR USE

Indications for use of DWL-P doors: as a barrier between rooms in residential buildings and public buildings. Thanks to endurance properties doors can be used in conditions corresponding to 3rd strength performance class in accordance with PN-EN 1192:2001, i.e. heavy duty.

DOOR MARK: DWL-P –reinforced interior doors, single leaf and double leaf

> CONSTRUCTION


A. FINISH

Veneer: HPL, CPL 0,7 mm. Colours and patterns from standard and  non-standard collection.

B. SKIN

HDF.

C. CORE

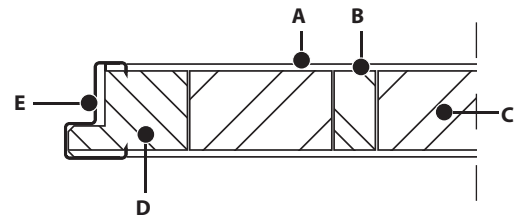
- hollow chipboard core
-  chipboard core reinforced with rails and stiles

D. RAILS AND STILES



Rails and stiles made of glued laminated softwood.

E. LIPPING

Vertical edges are covered with stainless steel laths 0,6 mm thick. On the top edge there is edge tape in door leaf colour.

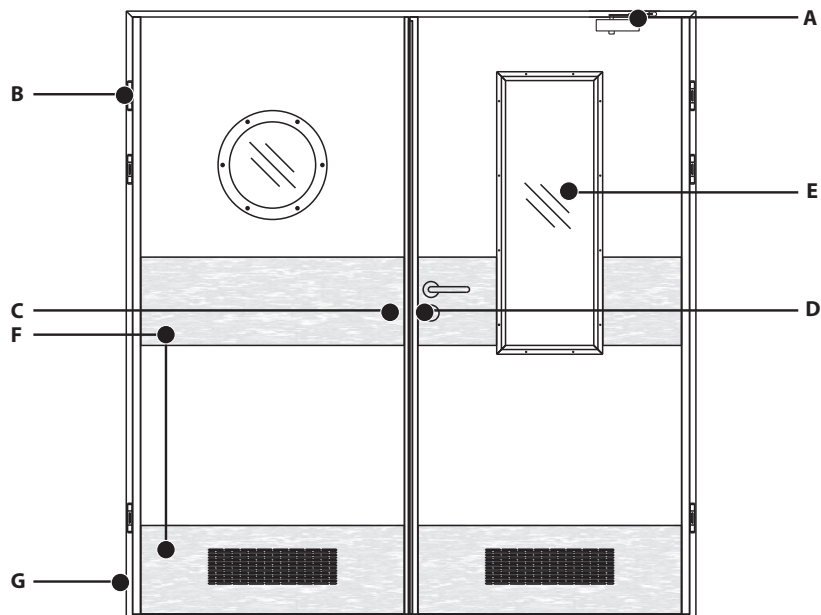


DIMENSION RANGES WITHIN TECHNICAL ASSESSMENT

WITHIN TECHNICAL ASSESSMENT (AT)			INDIVIDUAL APPROVAL DOCUMENTATION (DJ)
DOOR TYPE	DOOR LEAF WIDTH S_s	DOOR LEAF HEIGHT H_s	DOOR LEAF HEIGHT H_s
Single leaf, rebated	max 1244 mm*	max 2200 mm	max 2500 mm
Single leaf, non-rebated	max 1218 mm*	max 2200 mm	max 2500 mm
 Double leaf, rebated	max 1244 mm**	max 2200 mm	max 2500 mm
 Double leaf, non-rebated	max 1218 mm**	max 2200 mm	max 2500 mm

** Total width of two leaves set cannot exceed dimensions included in AT: for rebated doors 2079 mm, for non-rebated doors up to 2052 mm.

> ACCESSORIES AND HARDWARE



A. DOOR CLOSER (see accessories p. 107)

Surface mounted:

Door closers both with arm and slide rail have to be chosen accordingly to the weight and size of a door leaf. Installation of a door closer requires reinforcing door leaf and door frame.

B. HINGES (see accessories p. 106)

- reinforced three-part hinges
- stainless steel swing door hinges

C. ELECTRIC STRIKE (see accessories p. 108)

It is possible to install numerous electric strikes, indicated by the client.

Offered electric strikes:

• For single leaf doors:

- fail secure JIS 1710, Eff Eff 118
- fail-safe MCM 611, Eff Eff 138

Power supply as recommended by the producer.

D. LOCK (see accessories p. 109)

Main lock: cylinder lock.

Additional upper cylinder lock.

Roller lock.

E. GLAZING

- Glazing patterns in line with Porta's offer or according to client's demand.
- Glass panel types in line with Porta's offer or according to client's demand (glass panel thickness 4 – 6 mm).
Tempered glass panel or laminated glass panel available.
- Glazing beads are made of stainless steel.
- Stainless steel porthole with internal diameter 250 mm for sizes '60' and '70' or 300 mm for other sizes.


F. STAINLESS STEEL PANELS (see accessories p. 107)

Doors leaves can be equipped with stainless steel panels, 0,6 mm thick.


Offered panels:



- 'Kick-panel' 300 mm high
- 'Push-panel' placed on a handle level, 300 mm high
- Ventilation 'kick panel' 300 mm high

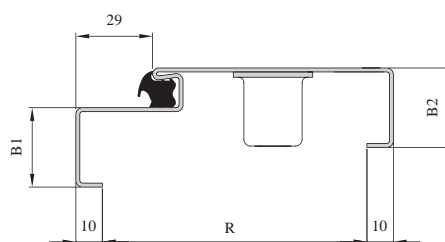
G. DOOR FRAMES

Steel door frames which are powder coated are available in colours from Porta's current offer or  in any RAL or NCS colour. Optionally: reinforcement for a door closer.

CORNER PROFILE STEEL DOOR FRAME








Made of galvanized steel 1,2 mm or  1,5 mm thick. Available in two options: to be installed on finished floor level '0' or under floor level '-30' [mm]. It is equipped with six dowel pins.

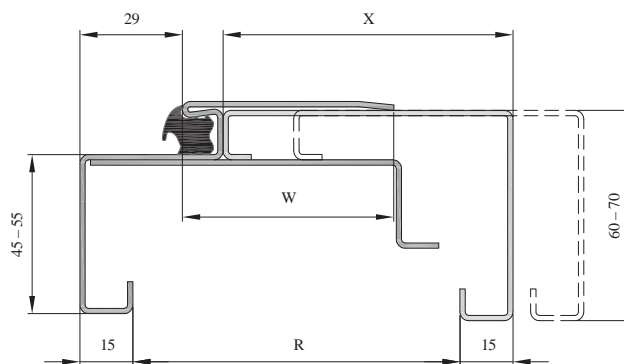
R Profile width [mm] - standard 100	B1 Front face height [mm] - standard 40	B2 Back face height [mm] - standard 30
80-480	 30-55	 30-75



 **ADJUSTABLE STEEL DOOR FRAME**

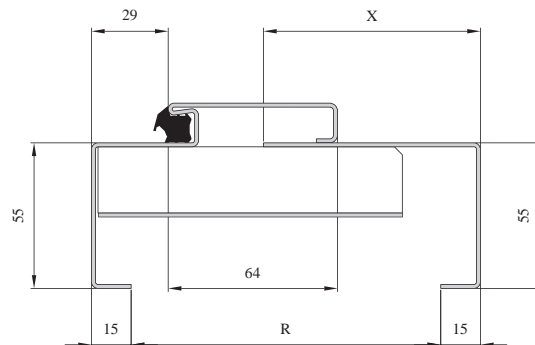
Made of galvanized steel 1,5 mm thick. Fixed part is anchored to a wall with the attached rawlplugs or with self-tapping screws (plasterboard wall).

R Adjustment range [mm]	Door frame type	X back profile adjustable part [mm]	W front profile fixed part [mm]
95-120	A	82	50
121-145	B	105	60
146-170	C	130	
171-195	D	155	70
196-220	E	180	
221-245	F	205	80
246-270	G	230	
271-295	H	255	90
296-320	 I	280	
321-345	 J	305	
346-370	 K	330	
371-395	 L	355	
396-420	 M	380	
421-445	 N	405	
446-470	 O	430	



PORTA SYSTEM ADJUSTABLE STEEL DOOR FRAME

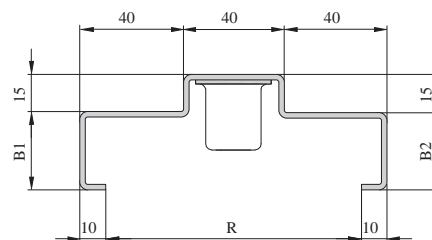
R Adjustment range [mm]	Door frame type	X Back profile adjustable part [mm]
95-120	A	80
121-145	B	105
146-170	C	130
171-195	D	155
196-220	E	180
221-245	F	205
246-270	G	230
271-295	H	255



ENDURO STEEL DOOR FRAME FOR SWINGING DOORS

Made of galvanized steel 1,5 mm thick. Fixed part is anchored to a wall with the attached rawlplugs or with self-tapping screws (plasterboard wall).

R Profile width [mm] - standard 100	B1 Front face height [mm] - standard 30	B2 Back face height [mm] - standard 30
80-480	3 30-55	3 30-75



3 There is a possibility to have accessories that are not featured above (e.g. electric door magnet, electric door stop, automatic flush bolt p. 107/108), after consulting with Contract Department.




Multipurpose doors for utility rooms

Technical Assessment AT-15-8081/2016

> INDICATIONS FOR USE

Indications for use of multipurpose steel Porta doors: in public buildings and residential buildings as internal doors which are a barrier utility rooms and storage rooms.

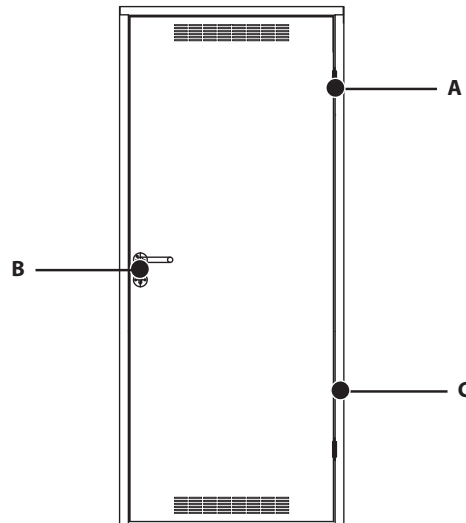
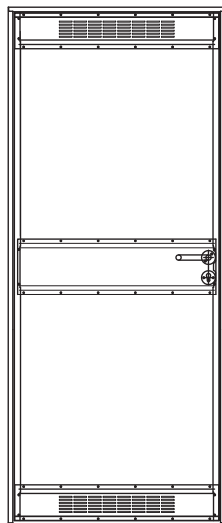
> CONSTRUCTION

Door leaf and door frame are made of galvanized steel sheet which is powder coated in colours from Porta's offer or  in any RAL or NCS colour. Thanks to symmetrical construction and universal hardware they can be installed either as right of left hand doors.

DIMENSION RANGES WITHIN PORTA'S STANDARD OFFER

DOOR TYPE	DOOR LEAF WIDTH S_s	DOOR LEAF HEIGHT H_s
Single leaf solid doors, non-rebated	715 mm	2017 mm
	815 mm	
	915 mm	

> ACCESSORIES AND HARDWARE



A. HINGES

Two-part barrel hinges.

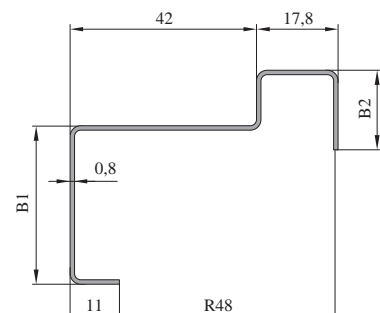
B. LOCK

Universal lock (right/left) for cylinder.

C. DOOR FRAME

Corner profile universal steel door frame (right/left) made of steel sheet 0,8 mm thick.

B1 Front face height [mm]	B2 Back face height [mm]
35	18





STRENGTH PERFORMANCE CLASS

Mechanical strength in resisting vertical load, static torsion and impacts; which are standard spectrum of use depending on category of duty (light, medium, hard and severe).



BURGLARY RESISTANCE

Door resistance to unpermitted opening, verified and classified into 2nd or 3rd class in accordance with PN-ENV 1627:2012 and class C in accordance with withdrawn but still used norm PN-B-92270:1990.



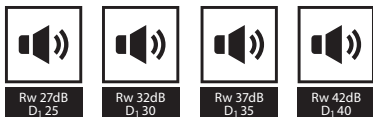
FIRE RESISTANCE

The ability to stop the fire for a certain amount of time – 30 minutes for EI30 class and 60 minutes EI60 class.



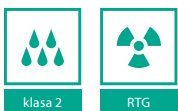
SMOKE CONTROL

It defines door tightness to smoke leakage in room temperature and temperature increased up to 200 °C.



ACOUSTIC RATING

A weighted sound reduction index Rw and D, measures the level of sound insulating abilities of doors.

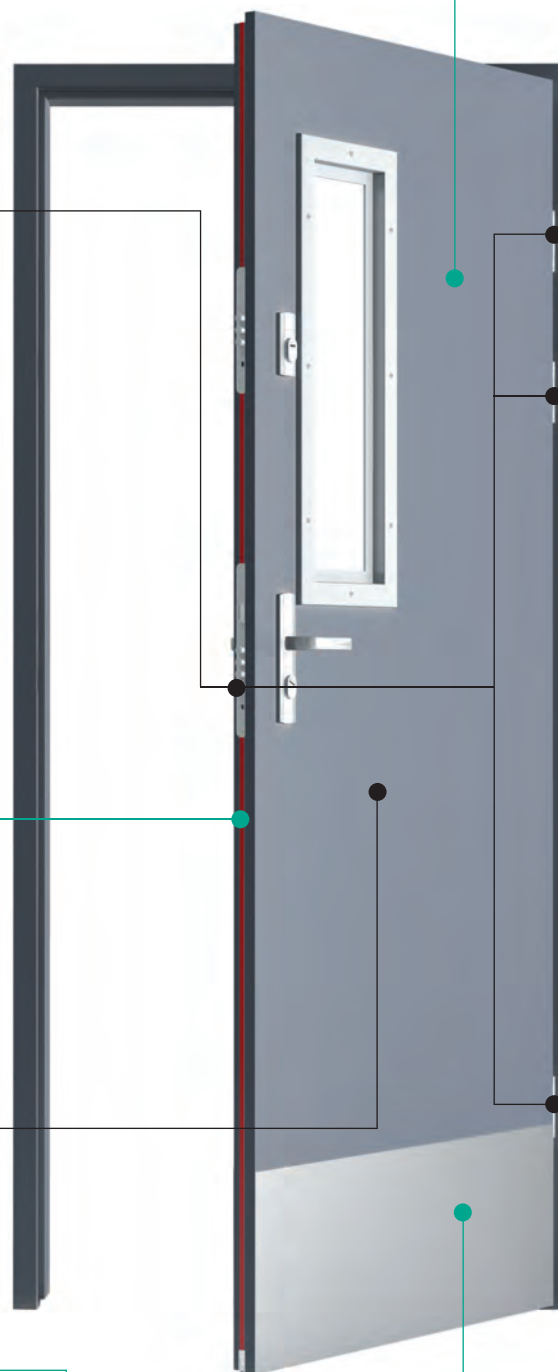


SPECIALIZED

Doors with non-typical construction, made from materials which meet particular requirements of designers and users.

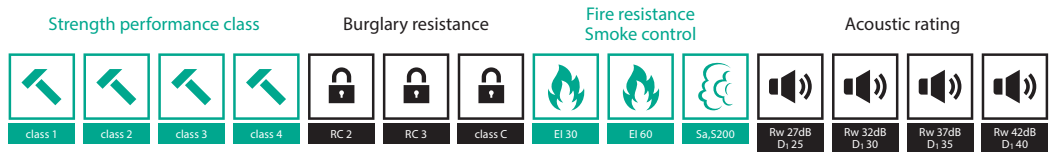
Resistance to weather conditions

RTG



Parameter tables of standard Porta doors

 A POSSIBILITY TO CUSTOMISE DOORS TO MEET DESIGNER'S REQUIREMENTS.



INTERIOR DOORS

	class 1	class 2	class 3	class 4	RC 2	RC 3	class C	EI 30	EI 60	Sa, S200	Rw 27dB D1 25	Rw 32dB D1 30	Rw 37dB D1 35	Rw 42dB D1 40
Flush	●	○	●	○	○	○	○	○	○	○	○	○	○	○
Frame and panel	●	○	○	○	○	○	○	○	○	○	○	○	○	○
Steel painted, Stainless steel	●	●	●	○	○	○	○	○	○	○	○	○	○	○







APARTMENT ENTRANCE DOORS

	class 1	class 2	class 3	class 4	RC 2	RC 3	class C	EI 30	EI 60	Sa, S200	Rw 27dB D1 25	Rw 32dB D1 30	Rw 37dB D1 35	Rw 42dB D1 40
GRANITE CLASS C	○	○	○	●	○	●	●	● typ II	○	●	○	●	○	○
GRANITE RC 3	○	○	○	●	○	●	○	●	○	●	○	●	○	○
EXTREME RC 3	○	○	○	●	○	●	○	●	○	●	○	○	●	○
AGATE	○	○	●	○	○	○	○	○	○	○	○	○	●	○
OPAL	○	○	●	○	●	○	○	○	○	○	○	○	●	○
QUARTZ	○	○	●	○	●	○	○	●	○	●	○	●	○	○
Steel SAFE	○	●	○	○	●	●	○	○	○	○	●	○	○	○



TECHNICAL DOORS

	class 1	class 2	class 3	class 4	RC 2	RC 3	class C	EI 30	EI 60	Sa, S200	Rw 27dB D1 25	Rw 32dB D1 30	Rw 37dB D1 35	Rw 42dB D1 40
EI 30	○	○	●	○	○	○	○	●	○	●	○	●	○	○
EI 30 steel	○	●	○	○	○	○	○	●	○	○	○	○	○	○
EI 60	○	○	●	○	○	○	○	○	●	●	○	●	○	○
EI 60 steel (Type Standard)	○	○	●	○	○	○	○	○	●	○	○	○	○	○
EI 60 steel (Type I)	○	○	●	○	○	○	○	○	●	●	○	○	○	●
27 dB	○	○	●	○	○	○	○	○	○	○	○	●	○	○
32 dB	○	○	●	○	○	○	○	○	○	○	○	○	●	○
Porta SILENCE 37	○	○	○	●	○	○	○	●	○	●	○	○	○	●
42 dB	○	○	●	○	○	○	○	● bez PS	○	● bez PS	○	○	○	○
AQUA	●	○	○	○	○	○	○	○	○	○	○	○	○	○
ENDURO	○	○	●	○	○	○	○	○	○	○	○	○	○	○



Summary of technical parameters

APPLICATION EXAMPLE	PARAMETERS	DOORS OFFERED BY PORTA
Apartment entrance doors		OPAL, GRANITE RC 3 type I i II, GRANITE class C, EXTREME RC 3 type I i II
Apartment entrance doors		AGATE, OPAL, QUARTZ, GRANITE RC 3 type I i II
Apartment entrance doors in buildings higher than 25 m (from 10th floor)		QUARTZ, GRANITE I.C., GRANITE RC 3 type II
Doors between fire protection zones. (buildings without fire protective vestibules.)		Porta SILENCE 37dB + EI30, EI 30, EI 60
Doors for boiler rooms		EI 60
Doors for garages (doesn't regard detached houses)		Porta SILENCE 37dB + EI 30, EI 30, EI 60

■ HOTELS, HOLIDAY HOMES, GUESTHOUSES, ETC..

APPLICATION EXAMPLE	PARAMETERS	DOORS OFFERED BY PORTA
Room doors in short buildings (up to 5th ground)	acc. to the design	27 dB, 32 dB, Porta SILENCE 37 dB, 42 dB, EI 30, EI 60
Room doors in high buildings (from 5th floor)		Porta SILENCE 37 dB + EI 30, EI 30, EI 60, 42 dB
Doors between fire protection zones. (buildings without fire protective vestibules.)		Porta SILENCE 37 dB + EI 30, EI 30, EI 60

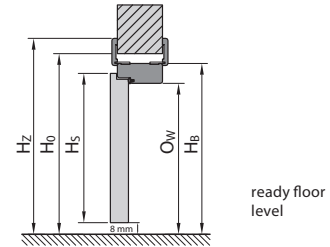
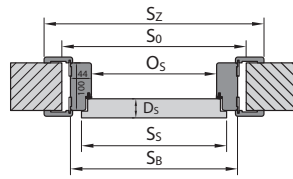
■ RESIDENTIAL BUILDINGS

APPLICATION EXAMPLE	PARAMETERS	DOORS OFFERED BY PORTA
Work rooms	acc. to the design	27 dB, 32 dB
Rooms for work requiring concentration	acc. to the design	27 dB, 32 dB, 37 dB
Director's office	acc. to the design	37 dB, 42 dB
Consulting rooms		37 dB, 42 dB
Doors between fire protection zones. (buildings without fire protective vestibules.)		EI 60

NOTE! Above table includes requirements regarding fire resistance in buildings. Given parameters have to be verified and adjusted to a certain building.

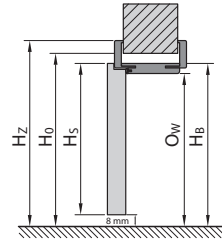
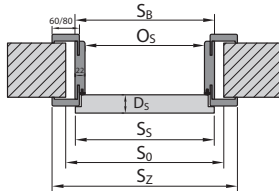
Door dimensions

■ MINIMAX DOOR FRAME



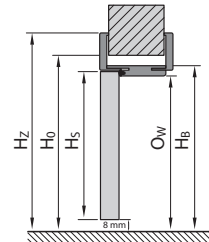
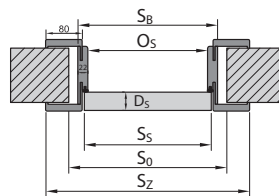
ready floor level

■ Porta SYSTEM DOOR FRAME



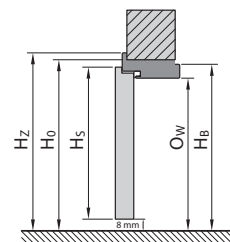
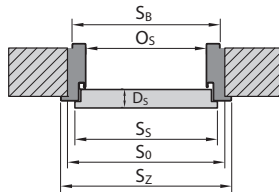
ready floor level

■ Porta SYSTEM ELEGANCE DOOR FRAME



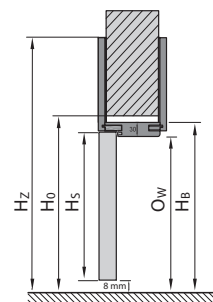
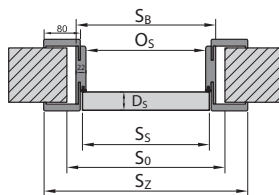
ready floor level

■ STEEL DOOR FRAME



ready floor level

■ LEVEL DOOR FRAME



ready floor level

DIMENSIONS KEY

- S_s total door leaf width (including rebates)
- H_s total door leaf height (including rebate)
- D_s door leaf thickness
- S_o width of a wall opening prepared for installation
- H_o height of a wall opening prepared for installation, measured from finished floor level
- O_s opening width (for Alfa and Beta this dimension is decreased by the door leaf thickness)
- O_w opening height (measured from finished floor level)
- S_b door frame width without architraves
- H_b door frame height, without architraves
- S_z total door frame width with architraves
- H_z total height of door frame, including architraves
- $T_{s/w}$ acceptable width and height tolerance (wall opening)

Door dimensions tables

INTERIOR DOORS WITH WOODEN DOOR FRAMES

TABLE 1

DOOR FRAME TYPE	SIZE	S _s	H _s	D _s	S _o	H _o	O _s	O _w	S _b	H _b	S _z (6)	S _z (8)	H _z	T _{sw}
with door frames: Minimax 60 mm Minimax 100 mm MDF in natural veneer	60	644	2030	40	710	2075	602	2016	690	2060	800	-	2115	+20/+10
	70	744			810		702		790		900	-		
	80	844			910		802		890		1000	-		
	90	944			1010		902		990		1100	-		
	100	1044			1110		1002		1090		1200	-		
with Porta SYSTEM door frame	60	644	2030	40	680	2060	602	2016	646	2038	746	786	architrave (6) / (8) 2088 / 2108	+20/+10
	70	744			780		702		746		846	886		
	80	844			880		802		846		946	986		
	90	944			980		902		946		1046	1086		
	100	1044			1080		1002		1046		1146	1186		
with Porta SYSTEM ELEGANCE* / LEVEL door frame	60	618	2017	40	680	2060 / 2070	602	2016	646	2038 / 2046	-	786	2108 / top panel (20) / (100) 2228/3028	+20/+10
	70	718			780		702		746		-	886		
	80	818			880		802		846		-	986		
	90	918			980		902		946		-	1086		
	100	1018			1080		1002		1046		-	1186		
with RENOVA*** door frame	60	644	2030	40	596	2016	558	1994	584	2007	746	-	2088	+15/-6
	70	744			696		658		684		-	786		
	80	844			796		758		784		-	886		
	90	944			896		858		884		-	986		
	100	1044			996		958		984		-	1086		
	110	1144			1096		1058		1084		-	1246		
with Villadora MODERN door frame standard version 2.0 / 2.2 (architrave 80 / 100)	60	618	2017 / 2200	40	680	2060 / 2243	600	2016 / 2199	646	2039 / 2222	-	787 / 827	2110 / 2230** 2313 / 2413**	+20/+10
	70	718			780		700		746		-	887 / 927		
	80	818			880		800		846		-	987 / 1027		
	90	918			980		900		946		-	1087 / 1127		
	100	1018			1080		1000		1046		-	1187 / 1227		
with Villadora RETRO door frame	60	644	2030	40	680	2060	602	2016	646	2038	-	789	2110	+20/+10
	70	744			780		702		746		-	889		
	80	844			880		802		846		-	989		
	90	944			980		902		946		-	1089		
	100	1044			1080		1002		1046		-	1189		

NOTE: S_s and H_s dimensions of a door frame in natural veneers are given with tolerance - 1mm/ +3 mm.

* in case of choosing door leaves 220 in natural veneer, height H_v, H_v, O_w, H_b and H_z has to be enlarged by 184 mm - dimension with tolerance ± 1 mm.

** door frame option with a PLUS panel

*** S_o / H_o - width/height of clear opening of the old steel door frame. T_{sw} - tolerance + 15 mm depends on a construction of the old door frame.

INTERIOR DOORS WITH STEEL DOOR FRAMES

TABLE 2

DOOR FRAME TYPE	SIZE	S _s	H _s	D _s	S _o	H _o	O _s	O _w	S _b	H _b	S _z	H _z	T _{sw}
with Corner profile door frame - SMALL PLUS	60	644	2030	40	649	2043	596	2016	629	2033	706	2071	±10/±5
	70	744			749		696		729		806		
	80*	844			849		796		829		906		
	90*	944			949		896		929		1006		
	100	1044			1049		996		1029		1106		
with door frames: Corner profile - LARGE for concrete walls and Corner profile - LARGE folding made from stainless steel	60	644	2030	40	675	2055	596	2016	656	2046	706	2071	±10/±5
	70	744			775		696		756		806		
	80*	844			875		796		856		906		
	90*	944			975		896		956		1006		
	100	1044			1075		996		1056		1106		
	110	1144			1175		1096		1156		1206		
with Corner profile LARGE folding PCV finish	60	644	2030	40	675	2055	596	2016	656	2046	706	2071	±10/±5
	70	744			775		696		756		806		
	80*	844			875		796		856		906		
	90*	944			975		896		956		1006		
	100	1044			1075		996		1056		1106		
	110	1144			1175		1096		1156		1206		
with Corner profile LARGE, for plasterboard walls	60	644	2030	40	685	2055	596	2016	680	2046	706	2071	+10/+5
	70	744			785		696		780		806		
	80*	844			885		796		880		906		
	90*	944			985		896		980		1006		
	100	1044			1085		996		1080		1106		
110	1144	1185	1096	1180	1206								
with ADJUSTABLE door frame	60	644	2030	40	700	2070	596	2016	680	2058	716	2076	-10/-5
	70	744			800		696		780		816		
	80*	844			900		796		880		916		
	90*	944			1000		896		980		1016		
	100	1044			1100		996		1080		1116		
110	1144	1200	1096	1180	1216								
with ADJUSTABLE PS 'sharp edges'	60	644	2030	40	700	2070	596	2016	679	2058	736	2086	-10/-5
	70	744			800		696		779		836		
	80*	844			900		796		879		936		
	90*	944			1000		896		979		1036		
	100	1044			1100		996		1079		1136		
with FAST door frame	60	644	2030	40	680	2058	596	2016	716	2076	716	2076	+10/+5
	70	744			780		696		816		816		
	80	844			880		796		916		916		
	90	944			980		896		1016		1016		
	100	1044			1080		996		1116		1116		

*NOTE! Investment norm (clear opening width 800,900 mm) is available as a standard without an extra charge - add 8 mm to 50 dimension).

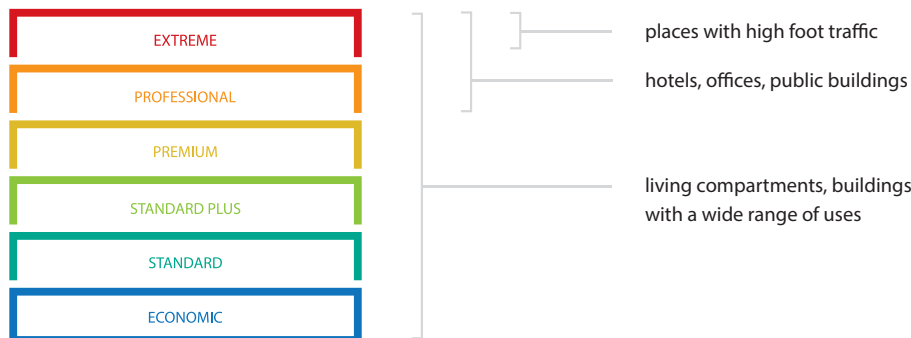
Please, remember to order suitable size of door leaves which are dedicated for the set.

Customise the colour and the finish type

■ CHECK THE NUMBER OF STARS NEXT TO EVERY FINISH

You can find six groups in below classification of Porta finishes. Finishes were grouped considering quality, durability and resistance to external conditions. We hope that this classification will help you to make the best possible choice. You can find the information about durability level next to each product.


<p>ECONOMIC ★☆☆☆☆</p> <p>The most advantageous combination of cost, and quality.</p>	<p>STANDARD ★★☆☆☆</p> <p>Basic durability level which provides the possibility of long-term use in household.</p>	<p>STANDARD PLUS ★★★☆☆</p> <p>Improved STANDARD class with enhanced parameters of resistance to abrasion and humidity.</p>
<p>PREMIUM ★★★★★</p> <p>A perfect combination of design and guaranteed high quality. Indications for use: residential buildings and offices..</p>	<p>PROFESSIONAL ★★★★★</p> <p>Durability level that combines great practicality and elegance in any place where doors are directly exposed to long-term external factors. Suggested indications for use: hotels, public buildings and offices.</p>	<p>EXTREME ★★★★★</p> <p>High durability level which guarantees door protection from intensive usage. Indications for use – places with heavy foot traffic, where hundreds of people pass daily.</p>





For detailed veneer data, see webpage: www.porta.com.pl/kartyoklein




Especially for you, basing on European standards, we have developed a classification of finishes (durability levels). We took into account various external factors which directly affects the durability of the door surface. Durability levels depends on the resistance to the following factors which make an impact on doors and finishes in everyday use:

ABRASION  Unavoidable during any door usage. Everyday doors are exposed to lots of abrasions, caused by people walking through and opening doors inappropriately because of their hands occupied with documents or belongings

HUMIDITY  Direct exposure to highly humid air influences veneer. Its resistance to this factor guarantees constancy of shape and solid surface throughout the whole time of use.

DETERGENTS  Housekeeping, both at home and in a workplace involves the use of detergents which make an impact on surface durability

DAY LIGHT  The factor which changes the colour shade in long term use. We have checked all types of veneer for you. Especially their reaction to daylight during long year use. We are proud to emphasize that the finishes we chose, achieve very good results throughout the entire time of use.

Accessories

■ HINGES FOR REBATED DOORS



PRIME hinge



Hinge with rising pin



Two-part hinge for wooden door frames



Two-part hinge for steel door frames



Three-part hinge for wooden door frames



Three-part hinge for steel door frames



Heavy duty hinge EXACTA



Heavy duty hinge VX7939/160

■ HINGES FOR NON-REBATED DOORS



Concealed hinge 3D for Porta SYSTEM ELEGANCE door frame



Visible hinge for steel door frames



Visible hinge for MDF door frames



Heavy duty hinge VX7729/160



Swing door hinge



V4487WF hinge

■ OTHERS

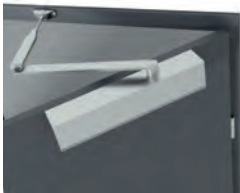


Stainless steel threshold for Porta door frames

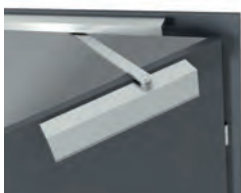


Stainless steel porthole
Internal diameter 250 mm for door leaves '60' and '70',
and 300 mm for other sizes

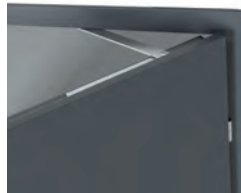
■ **DOOR CLOSERS**



Surface mounted door closer with an arm



Surface mounted door closer with a slide rail



Concealed door closer

■ **ELECTRIC DOOR STOP**



On-wall element



Released



Held

■ **VENTILATION GRILLS AND STAINLESS STEEL PANELS**



Fireproof ventilation grill, powder coated (producer: Lorient)



Stainless steel ventilation grill (producer: Porta)



Kick-panel



Push-panel



Ventilation kick-panel

■ AUTOMATIC SHOOTBOLT



Electric door stop



Unlocked set



Locked set

■ ANTI-PANIC HARDWARE



Single leaf set
(an option with the handle)



Double leaf set
(an option with the panic bar)



Panic function B – while the handle on the inside has a conventional panic function, the outside handle can be engaged or disengaged mechanically as required. The two handles are coupled via a two-part hub. Area of application: escape doors in administration buildings.

■ ELECTRIC STRIKE

FOR SINGLE LEAF DOORS



Electric strike to work with the main lock
Porta SYSTEM door frame



Electric strike to work with the main lock
MDF door frame, wooden



Electric strike to work with the main lock
steel door frame

FOR DOUBLE LEAF DOORS



An electric strike to work with an additional latch lock



Electric strike to work with the main lock type I



Electric strike to work with the main lock type II

■ LOCKS



Main lock



Roller lock



Multipoint lock



Fourpoint lock



Upper cylinder lock



Latch lock



Cylinder hook lock



WC hook lock



Hotel lock example I



Hotel lock example II



multipoint lock with hooks



2 anti-burglary hooks

Customise doors to meet your individual needs



The set contains wooden door leaf and a steel door frame

COLOUR

Customise the door colour to match the surroundings.

DESIGN

Customise the door design to match the style and functionality of your interior.

FUNCTION

Customise functional properties of the doors to a room and a building.

PARAMETERS

Customise parameters to meet the requirements of the architectural design.

Wide range of products is available both in standard and non-standard options.

K **BESPOKE orders:** Contract Department, e-mail: kontrakt@porta.com.pl

STANDARD orders: Porta Doors Catalogue, www.portadoors.com









ARE YOU DESIGNING A FACILITY OR AN INTERIOR?

O!PEN
IT WITH US

Go to the page: <https://www.porta.com.pl/pliki-cad>
download CAD and BIM libraries



www.portadoors.com

Porta KMI Poland LLC, limited partnership.

54 Szkolna street, 84-239 Bolszewo

Headquarters: Poland, voivodeship: Pomeranian, county: Wejherowo, village: Bolszewo

District Court Gdańsk-Północ in Gdańsk 8th Commercial Division of the National Court Register,
KRS No: 0000 504 087, NIP (Tax Identification Number): 585 000 62 04 Share capital: 110.100.000 PLN

Niniejszy katalog produktów nie stanowi oferty w rozumieniu przepisów Kodeksu Cywilnego, ani zapewnienia w rozumieniu przepisu art. 4 ustawy z dnia 27.07.2002 r. o szczególnych warunkach sprzedaży konsumenckiej. **Firma Porta KMI Poland Spółka z ograniczoną odpowiedzialnością Spółka komandytowa zastrzega sobie prawo wprowadzenia (bez uprzedzenia) zmian parametrów technicznych, wyposażenia, cen, warunków wydłużonej gwarancji oraz specyfikacji produktów.** Wszystkie ceny, zawarte w niniejszym Katalogu, stanowią średnie rynkowe ceny detaliczne produktów, określone na podstawie wybranej próbki transakcji dokonywanych przez dealerów i Autoryzowane Punkty Sprzedaży (APS). Ceny w Katalogu podane są w PLN. Niniejszy Katalog nie ustala cen odsprzedaży, zaś poszczególni dealerzy i APS indywidualnie określają ceny produktów Porta, w związku z czym ceny sprzedaży mogą się różnić w poszczególnych punktach sprzedaży. **Zawarte informacje są aktualne w chwili ukazania się niniejszej publikacji. Wszystkie poprzednie cenniki dotyczące tego samego asortymentu tracą ważność. Aktualne ceny i szczegółowa oferta dostępna również na www.porta.com.pl**

UWAGA! Ze względu na użytą technikę druku kolor prezentowanego produktu może różnić się od oryginału.